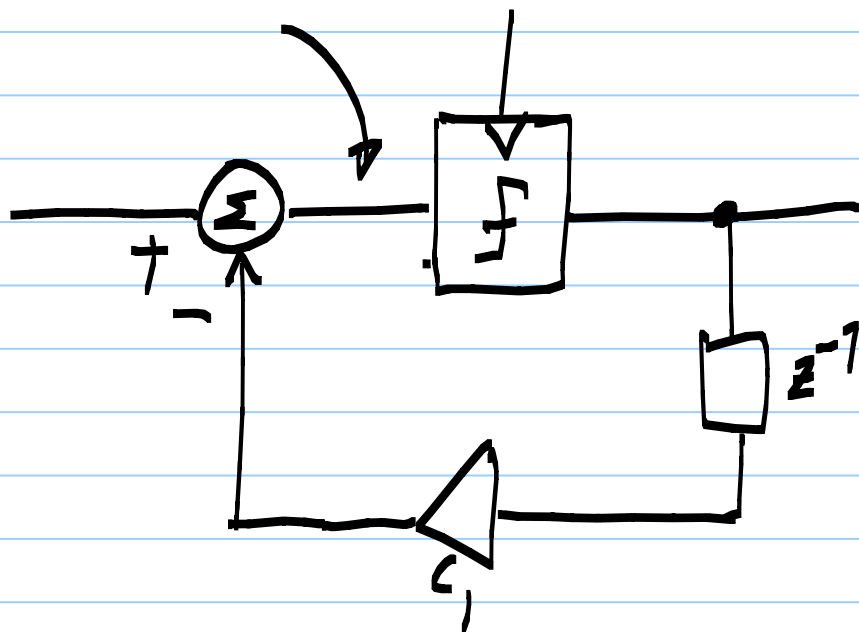
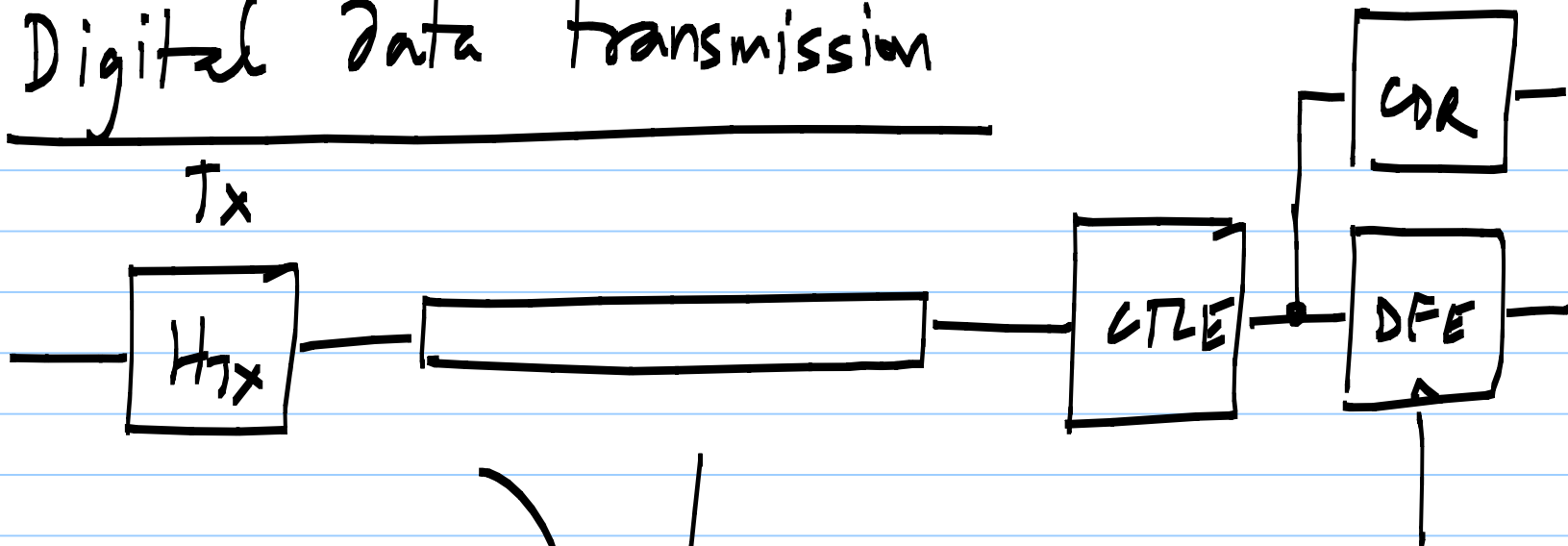
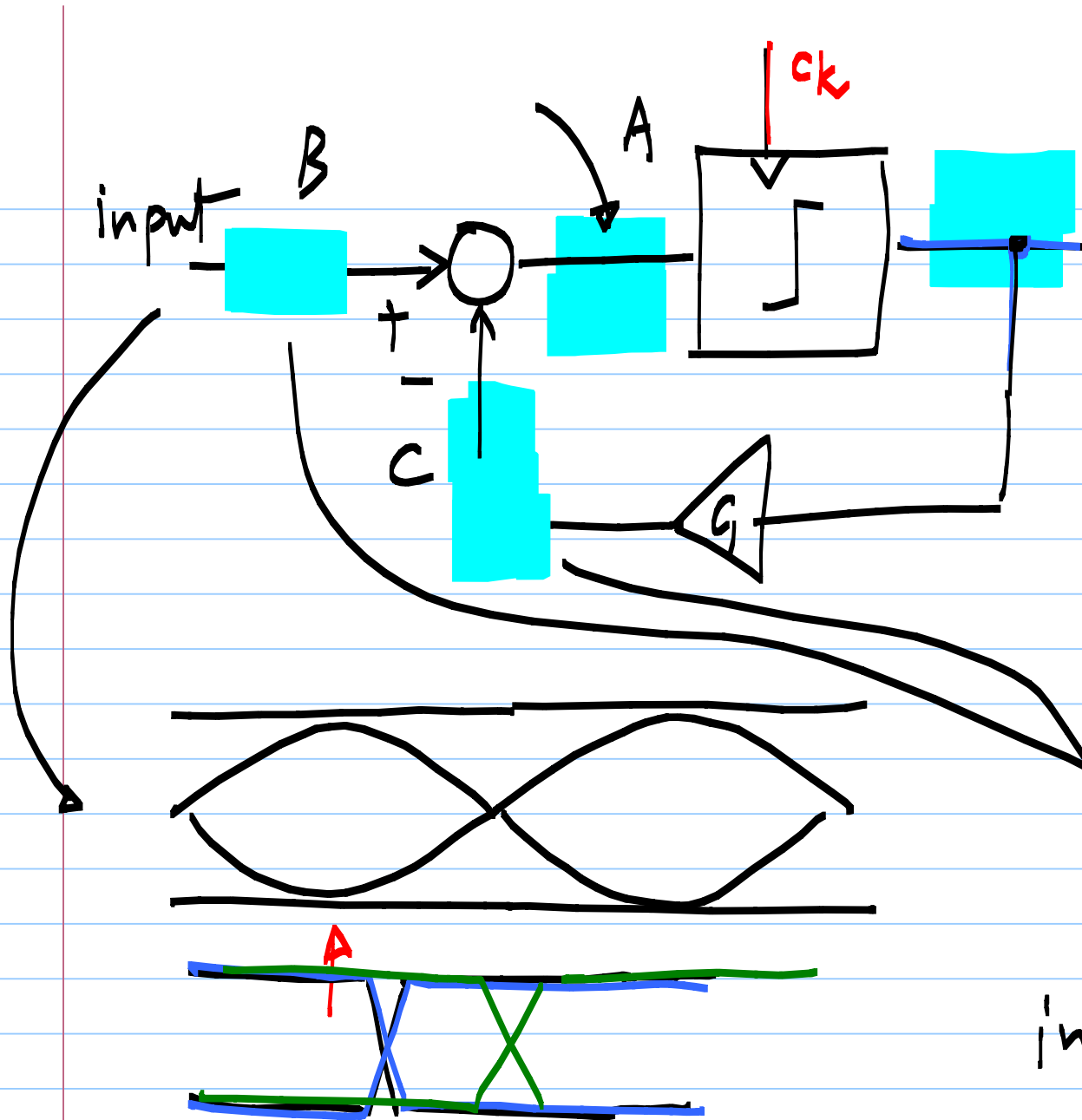


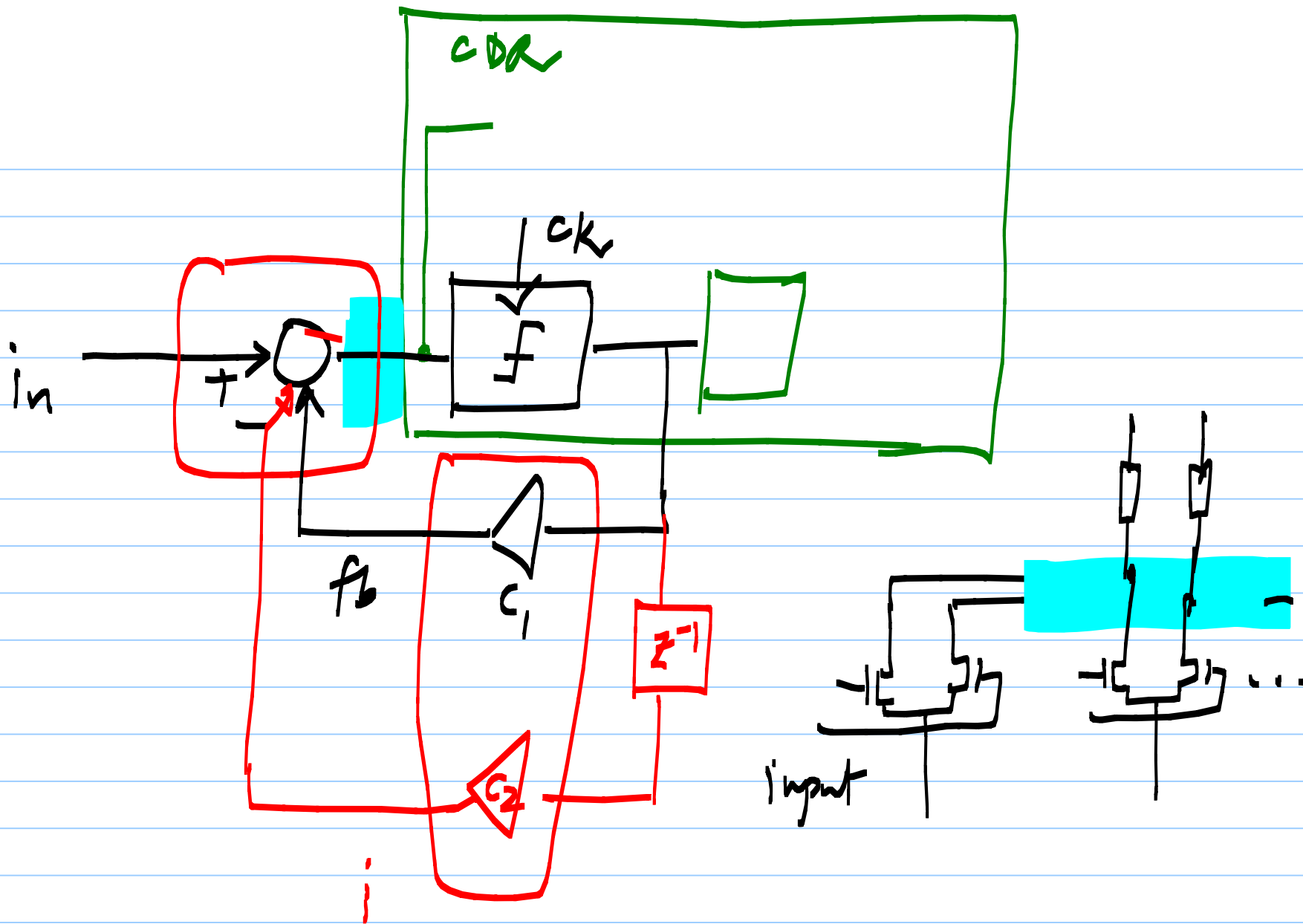
Digital data transmission

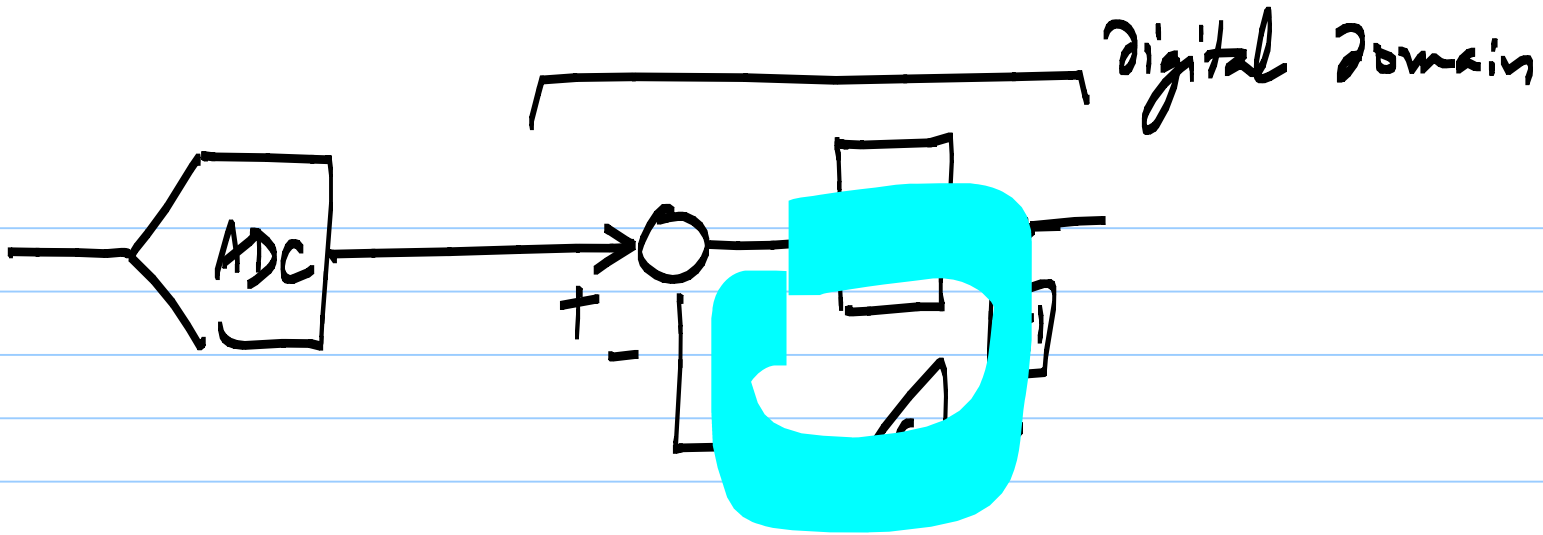


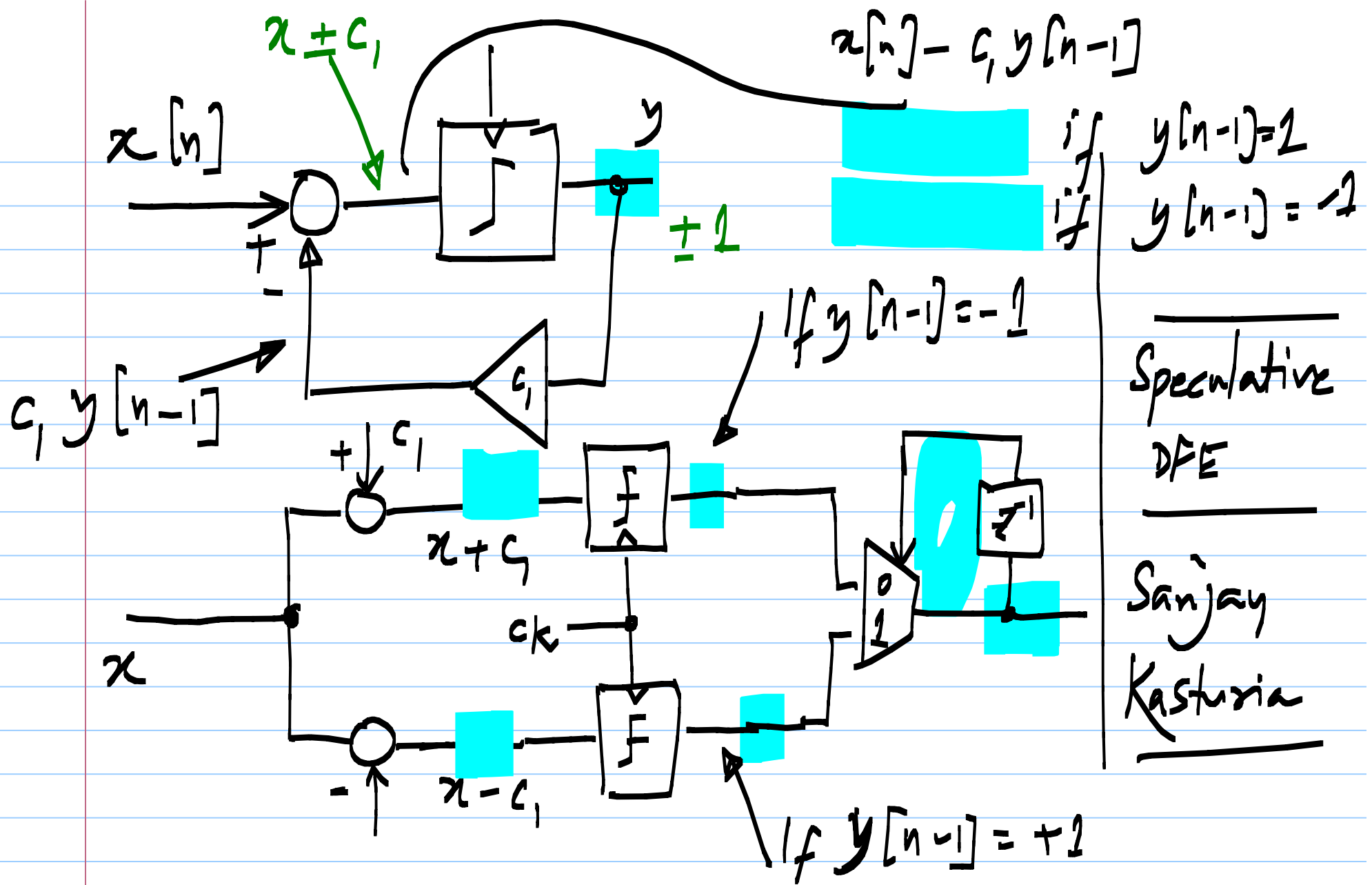


Rising edge
of ck : middle
of the eye @ A
 $ck - A$ delay
($ck - a, c_1, sum$)
 $= T_0/2$

Transition
instants @ B, C; aligned







$$x[n] - c_1 y[n-1] - c_2 y[n-2]$$

$$x[n] \pm c_1 \pm c_2$$

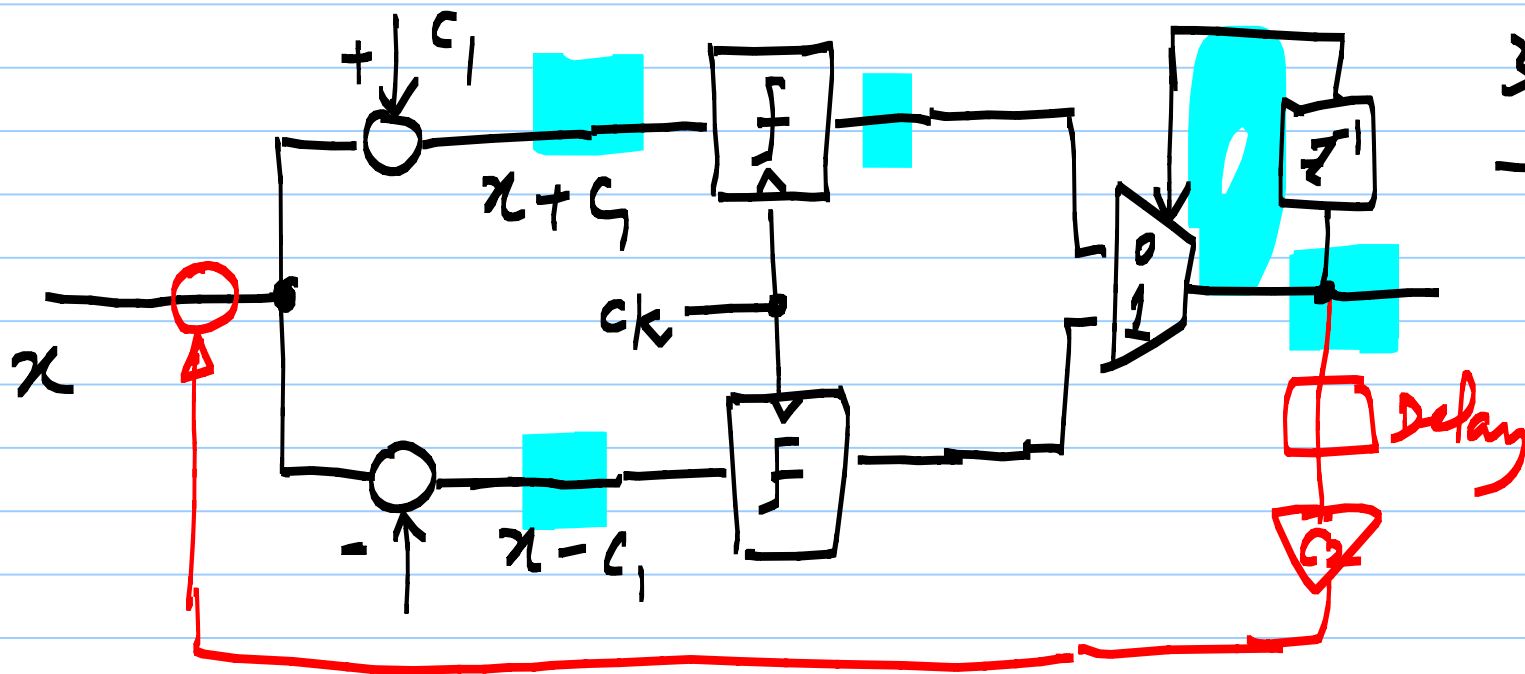
Speculative

D/E +

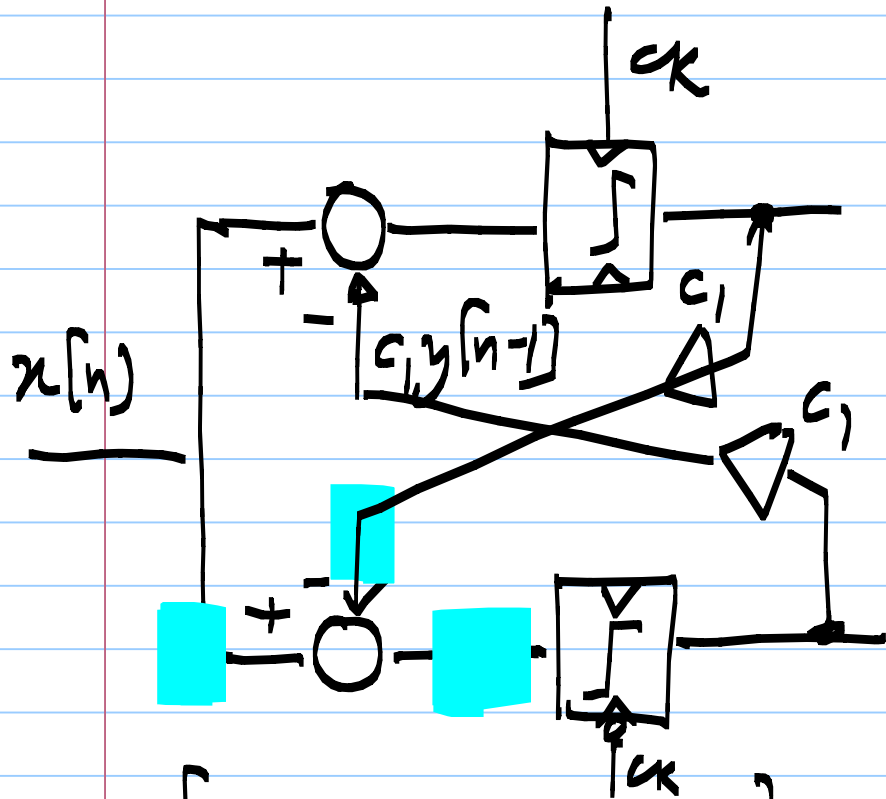
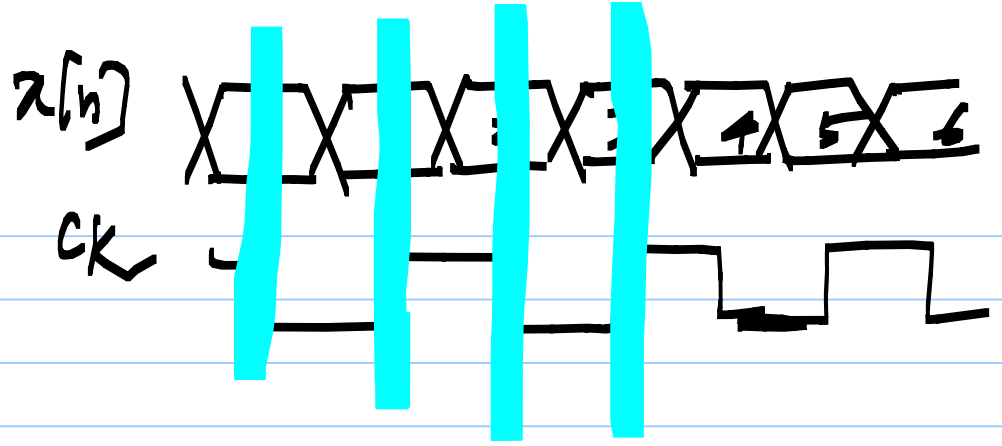
Conventional

(for 2nd, later taps)

3rd, later taps



Half rate DFE



$$\text{sgn} [x[n] - c_1 y[n-1]] = y[n]$$