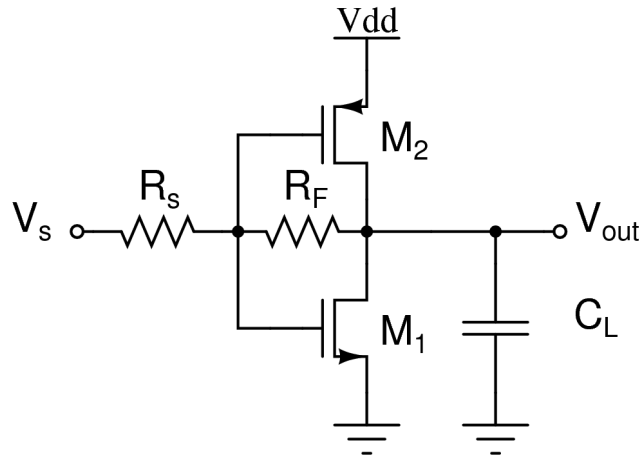


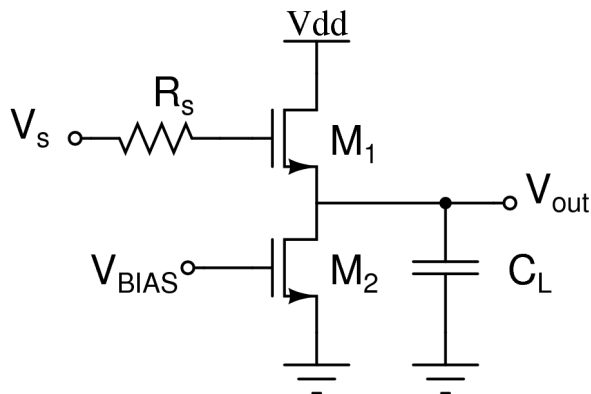
**EE6240 Homework 3: Due Monday 26/09/2011**

Neglecting device parasitics, flicker noise and induced gate noise, calculate the noise figures of the following circuits with respect to the source resistance  $R_s$ . Neglect back-gate effect.

1) Circuit 1: Assume  $R_F$  is very large {why is  $R_F$  present in this circuit?}



2) Circuit 2



3) Circuit 3

