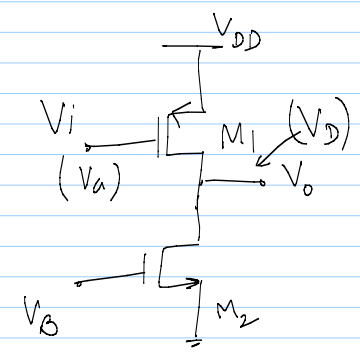
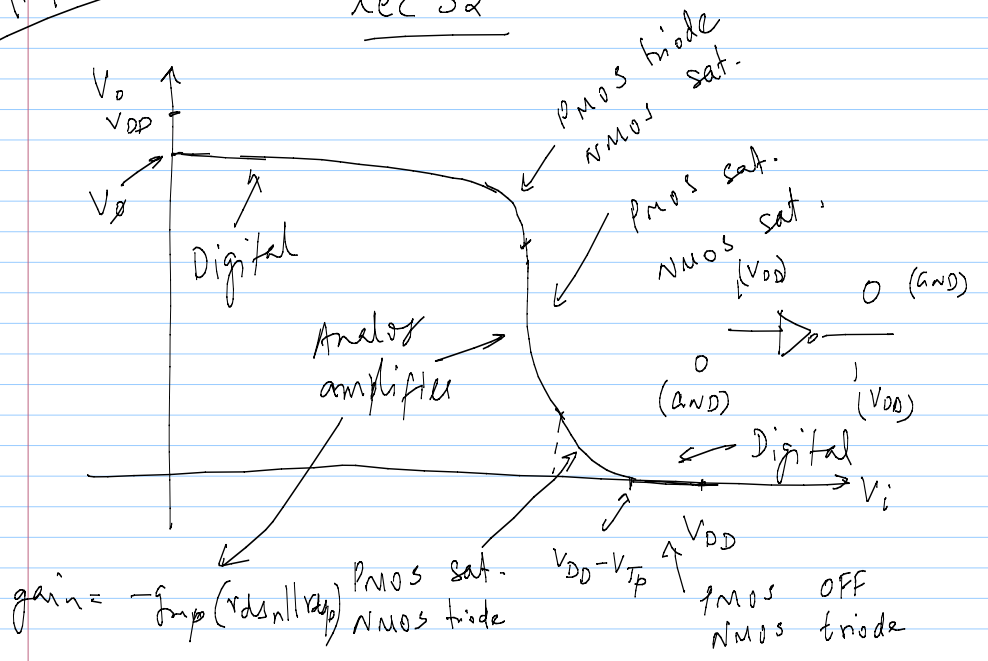
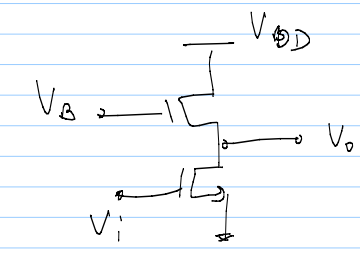


10/10/14

lec 32



$gain = -g_{m_p} (r_{ds_n} || r_{ds_p})$



$gain = -g_{m_n} (r_{ds_n} || r_{ds_p})$

