

EE5310: Analog Electronic Circuits

EE3002: Analog Circuits

Introduction

Aniruddhan S
Nagendra Krishnapura

<https://courses.iitm.ac.in>

Department of Electrical Engineering
Indian Institute of Technology, Madras
Chennai, 600036, India

14 November 2014

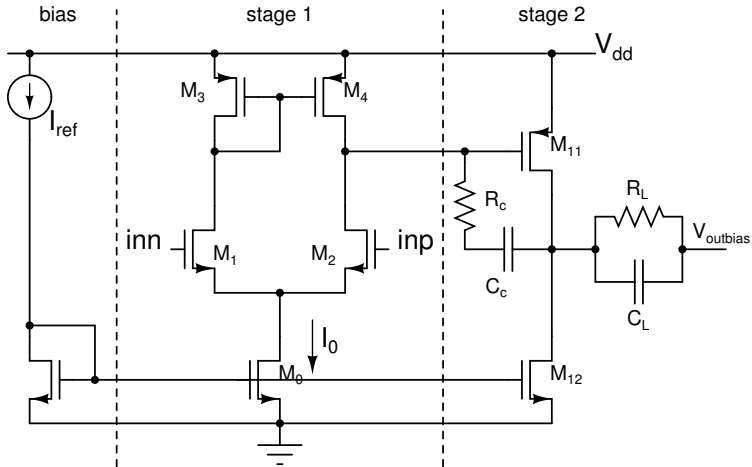
Theory

- Small signal analysis of nonlinear systems
- Analysis of nonlinearity and frequency response
- Stabilization of feedback circuits

Design

- Amplifier topologies
- Biasing techniques

Course goals



Course contents

- Nonlinear circuits-incremental analysis
- Obtaining power gain; MOS transistor
- Amplifiers with MOS and BJTs
- Opamps, negative feedback, stability
- Applications: Active filter, voltage regulator

Acknowledgments: The entire army of TAs!

Ashwin Kumar R S

Abhishek Kumar

B Abhishek

Binoy Jose P

Dasari Santosh Kumar

G V S Vaishnavi

Gaurav Agrawal

Sreejish S

Sujith Kumar

Sumit Kumar

Kadam Madhavi Ramesh

Kamala Raghavan Sadagopan

Khatavkar Prathamesh Mukund

Laxmeesha S

Nishanth P P

Pratapa V S Sasanka

Praveen M V

Yepuri Sai Sathvik

Pradeep Kumar Chandrasekar

T L Vivek