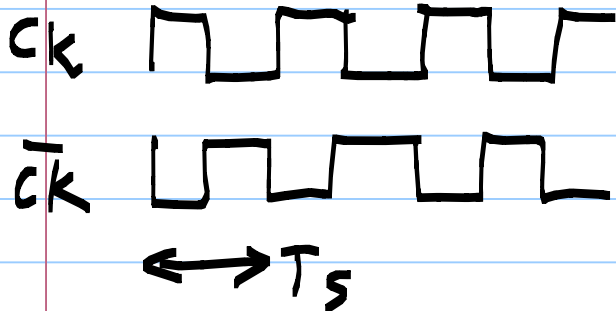
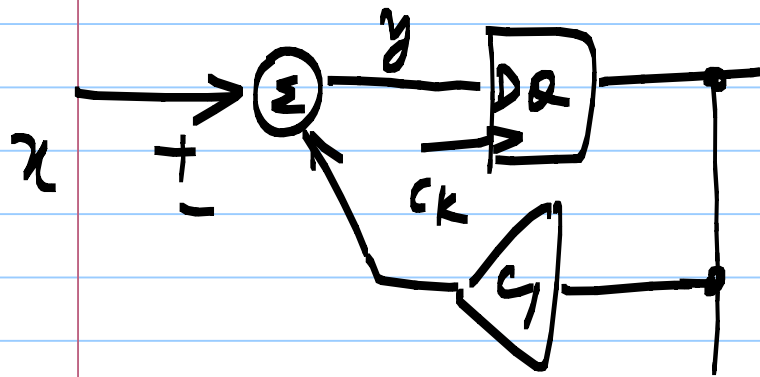
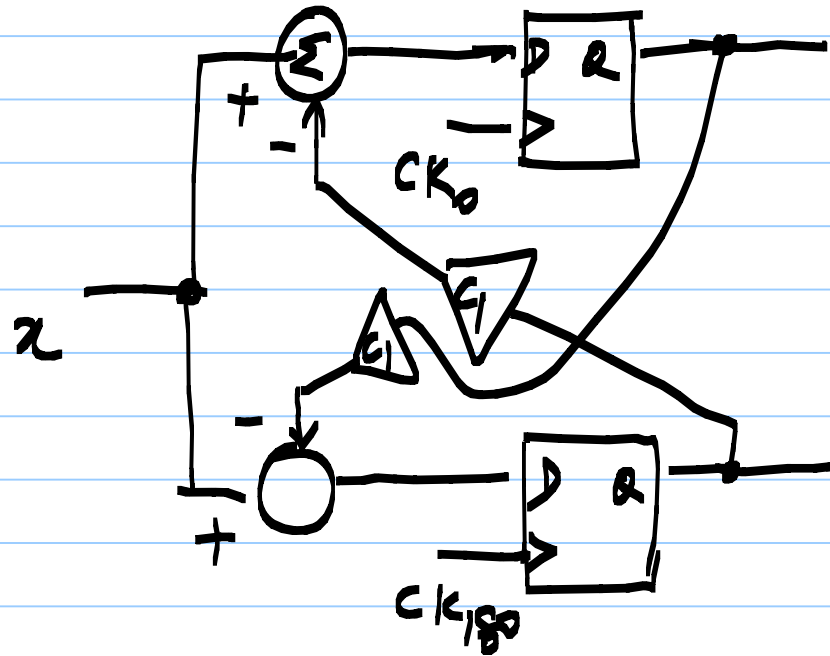
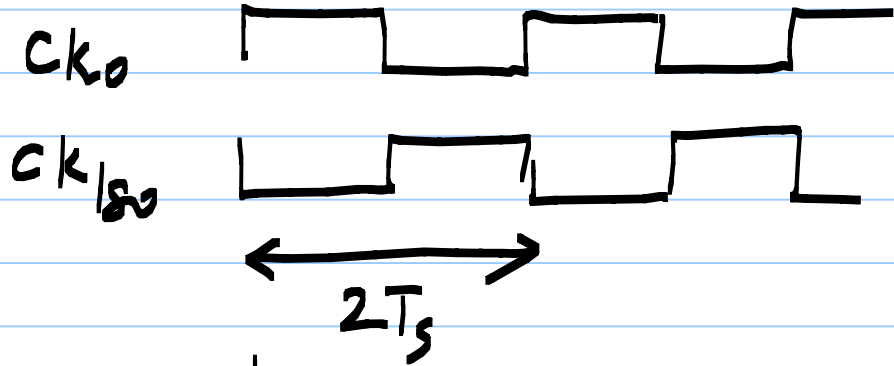


Half-rate architectures

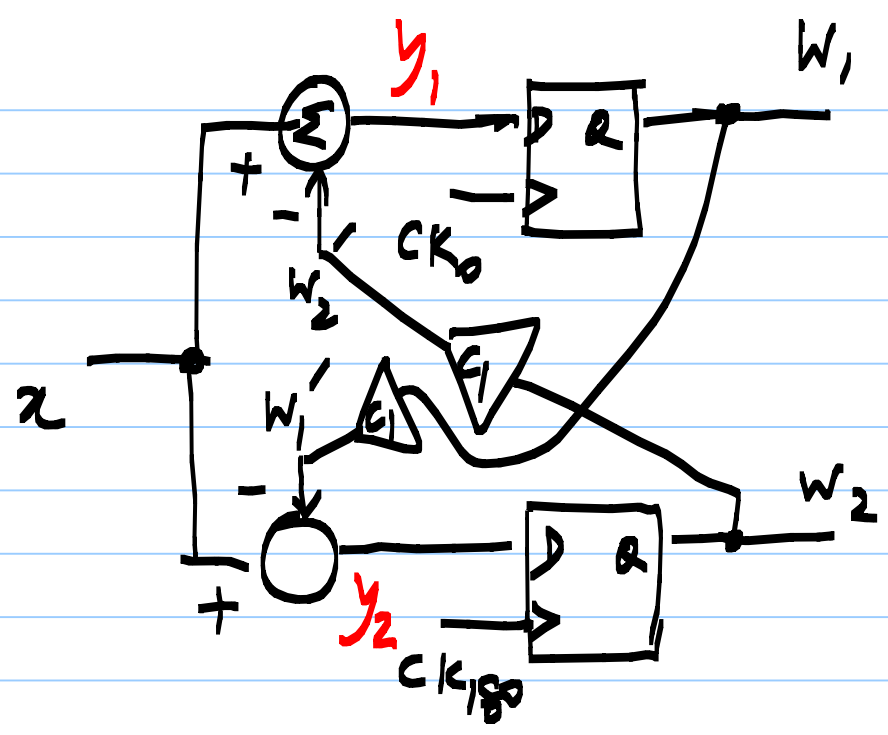
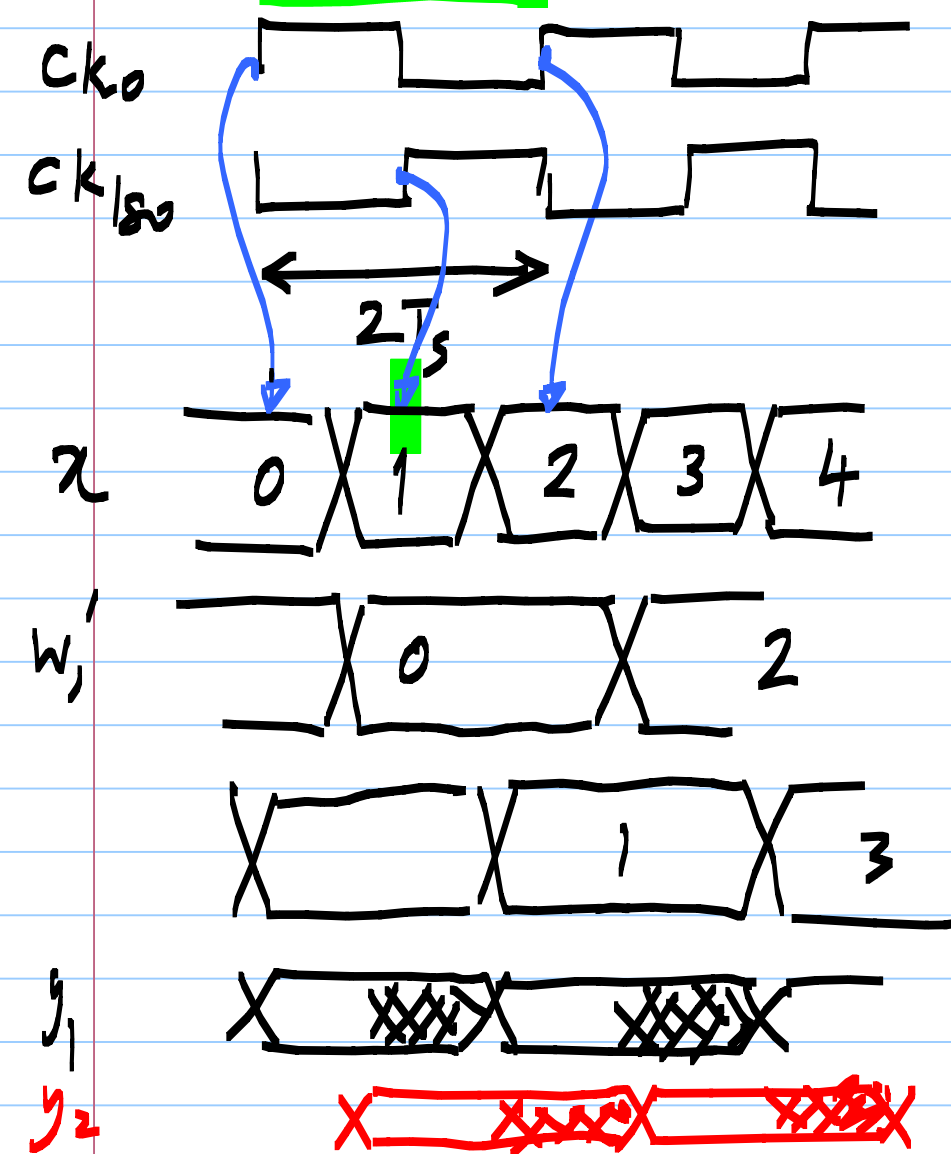
Full-rate DFE

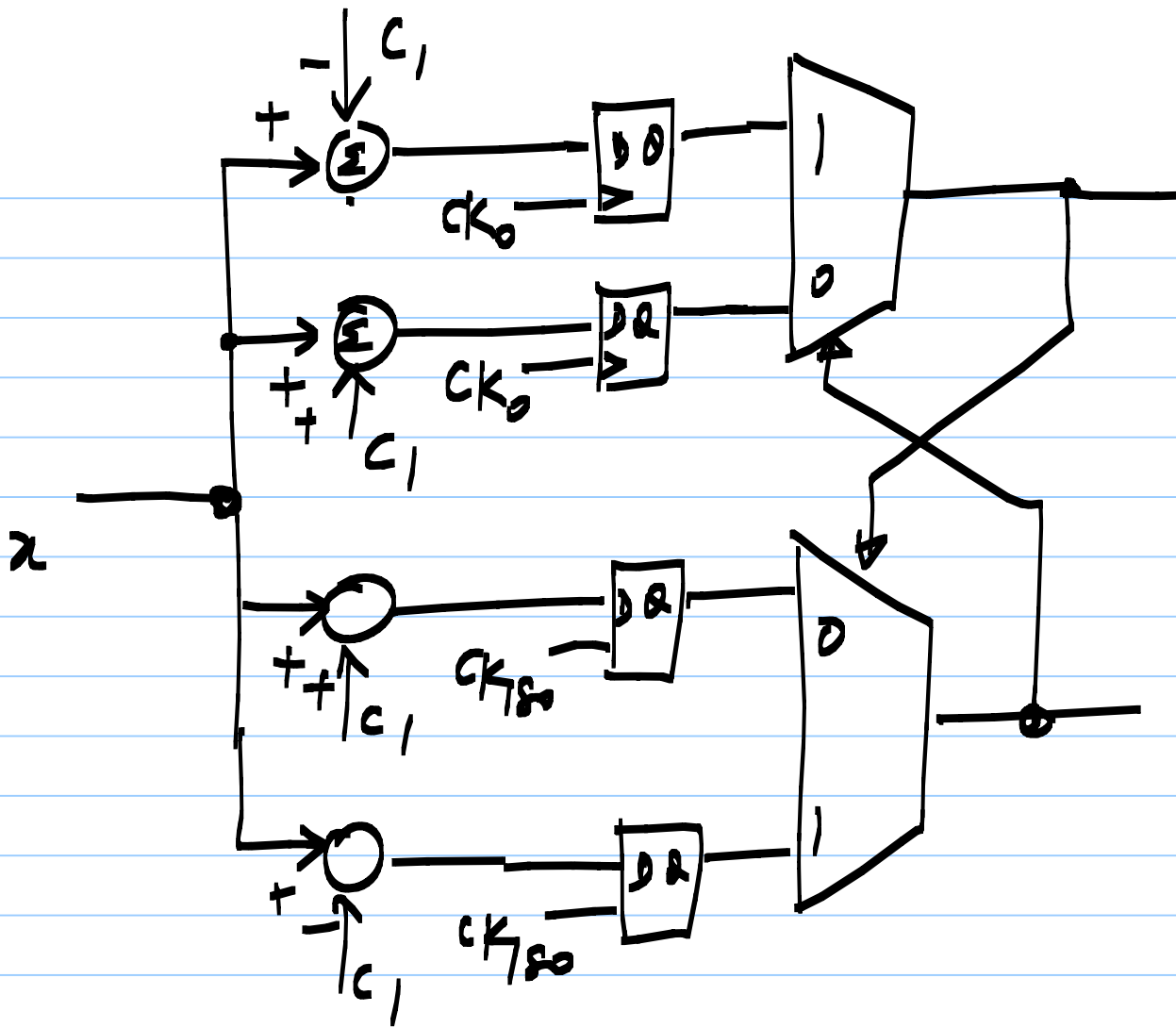


Half-rate

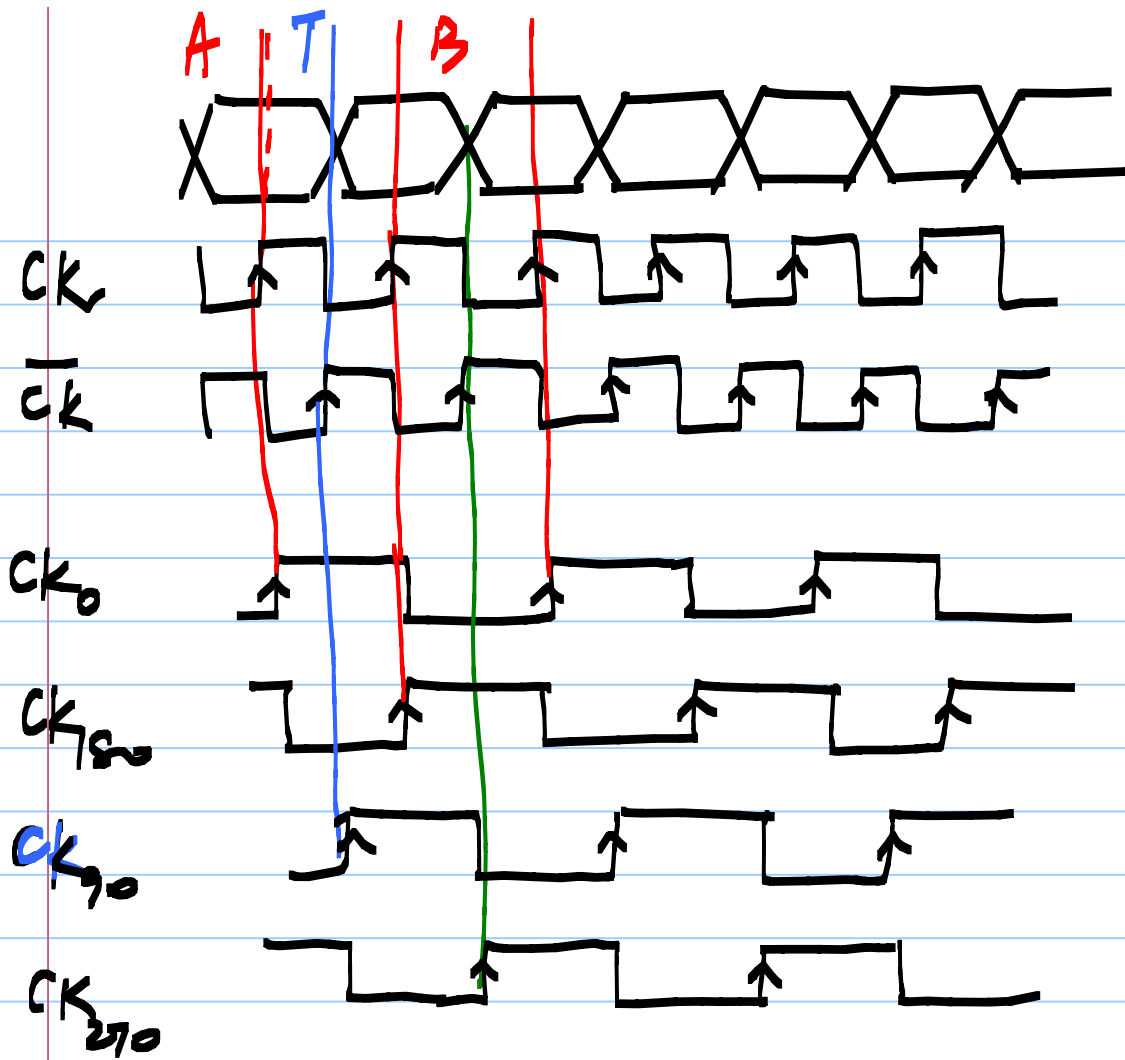


Half-rate





Speculative, half-rate



Phase det:

A T B

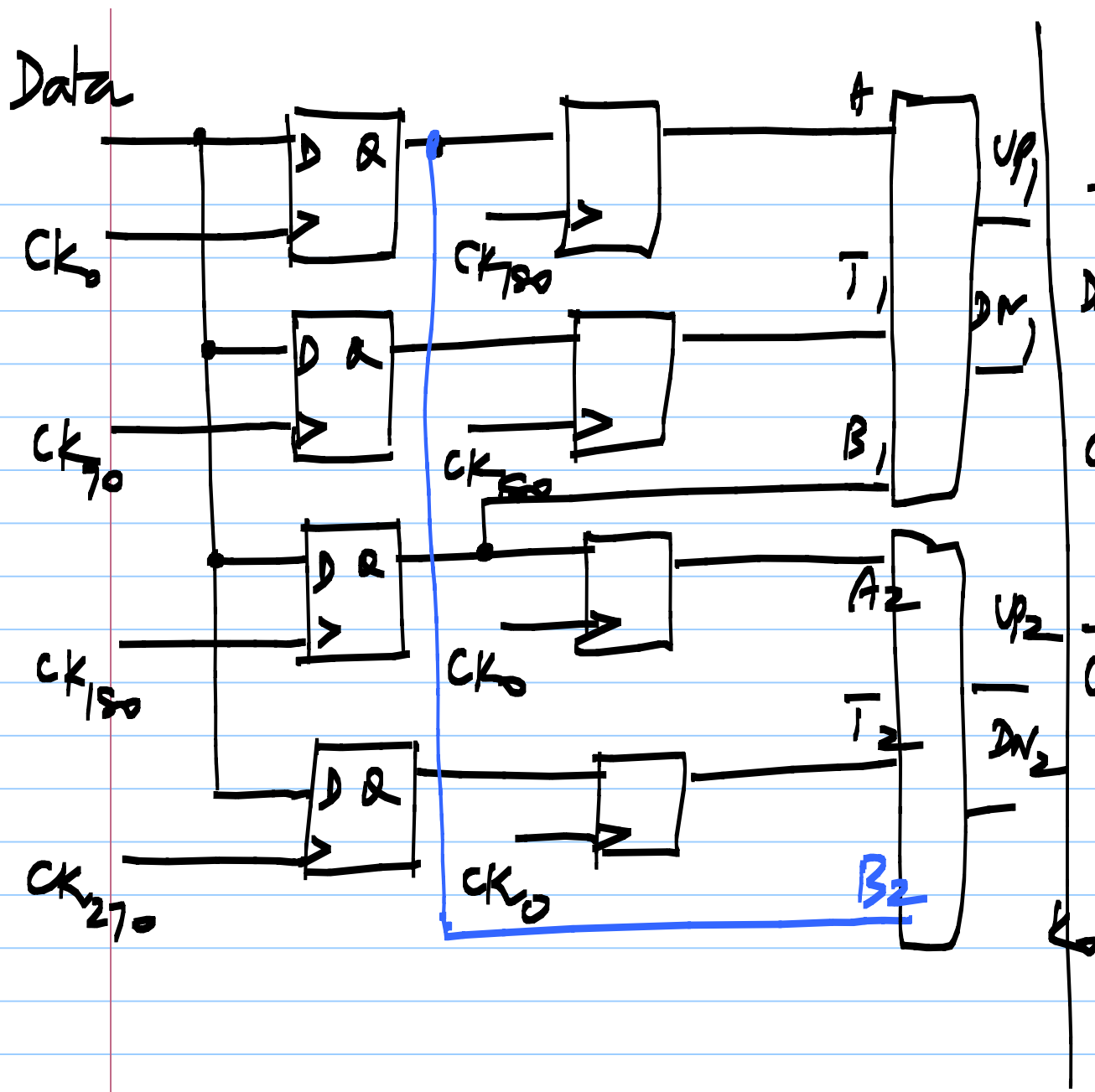
CK \overline{CK} CK

A, T, B,

CK_0 CK_{90} CK_{180}

A_2 T_2 B_2

CK_{180} CK_{270} CK_0



Full rate Bang-Bang PD

