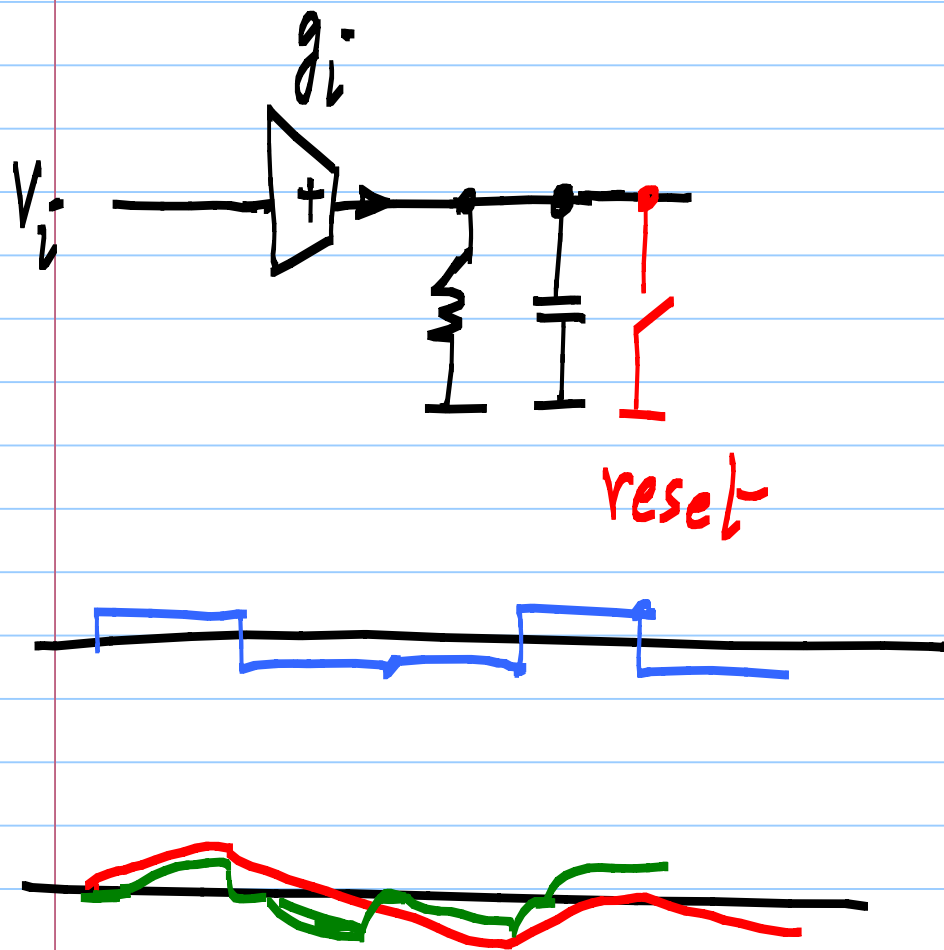
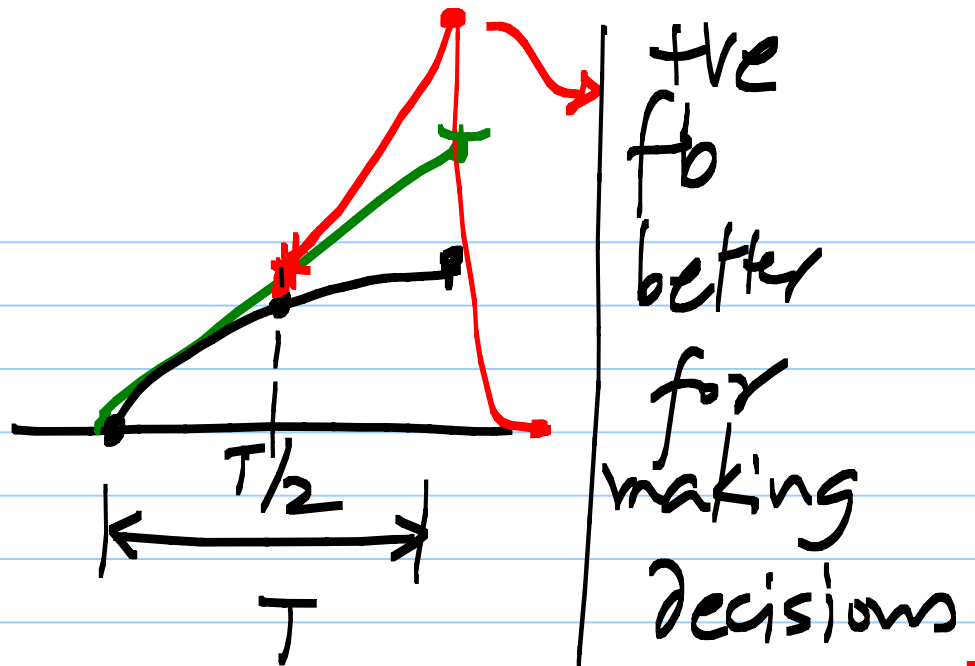
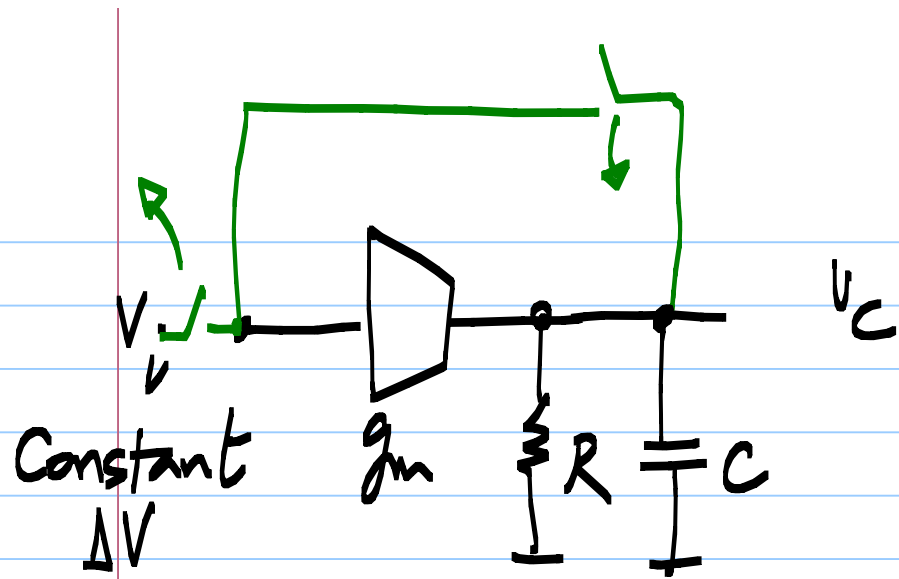


Receiver decision slicer: Latch with clock



timing

- Decision slicer in SERDES
- ADCs
- Sense amplifiers (Memory)
- Flip-flops



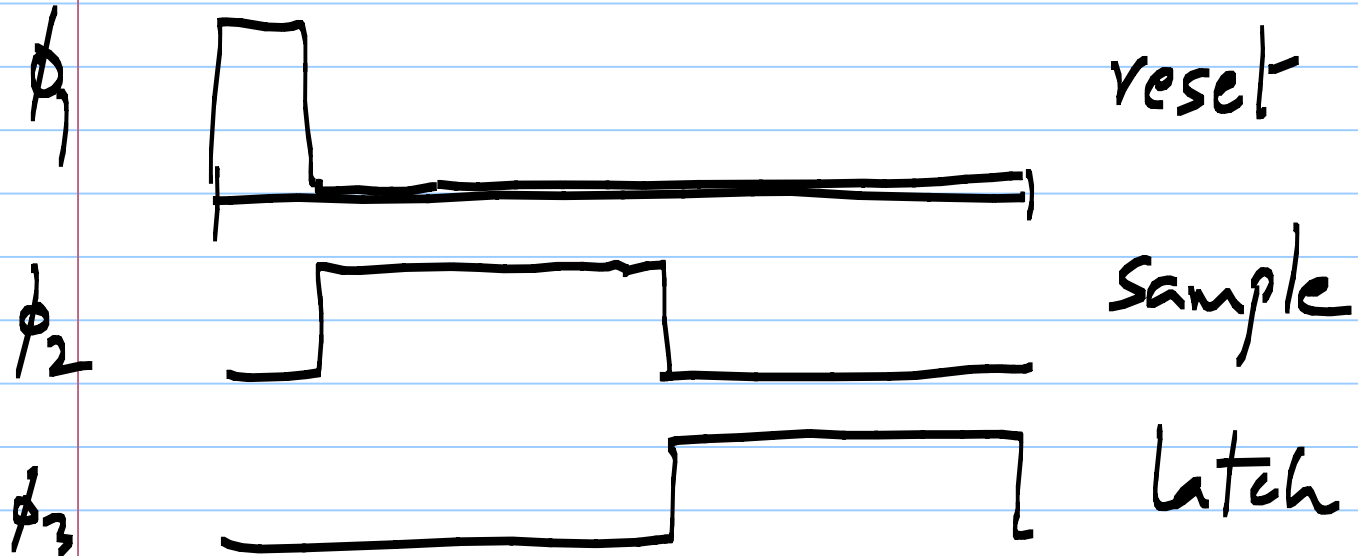
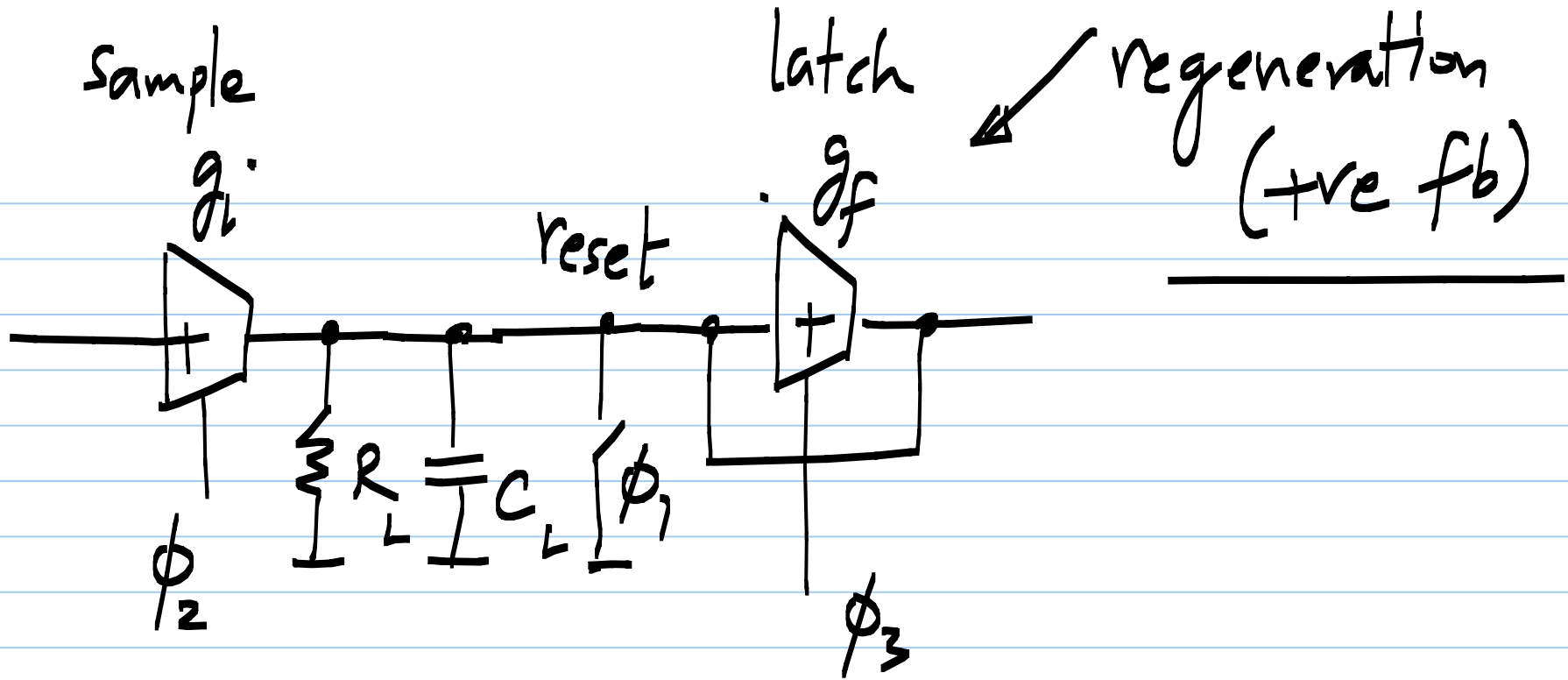
$$\times \exp\left(-\left(g_m - \frac{1}{2}\right) \cdot \frac{T}{2RC}\right)$$

@ T

$$g_m R \cdot \Delta V \left(1 - \exp\left(-\frac{T}{RC}\right)\right)$$

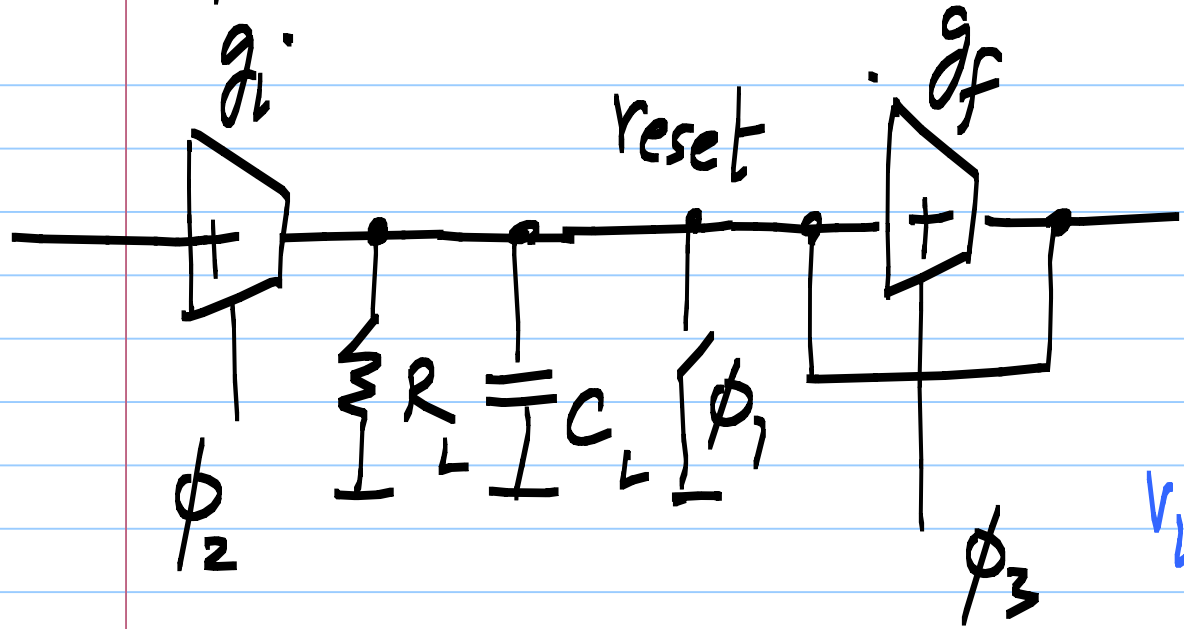
@ $T/2$

$$g_m R \Delta V \left(1 - \exp\left(-\frac{T}{2RC}\right)\right)$$



Sample

latch



V_{OH}
 $V_L = V_i'$

