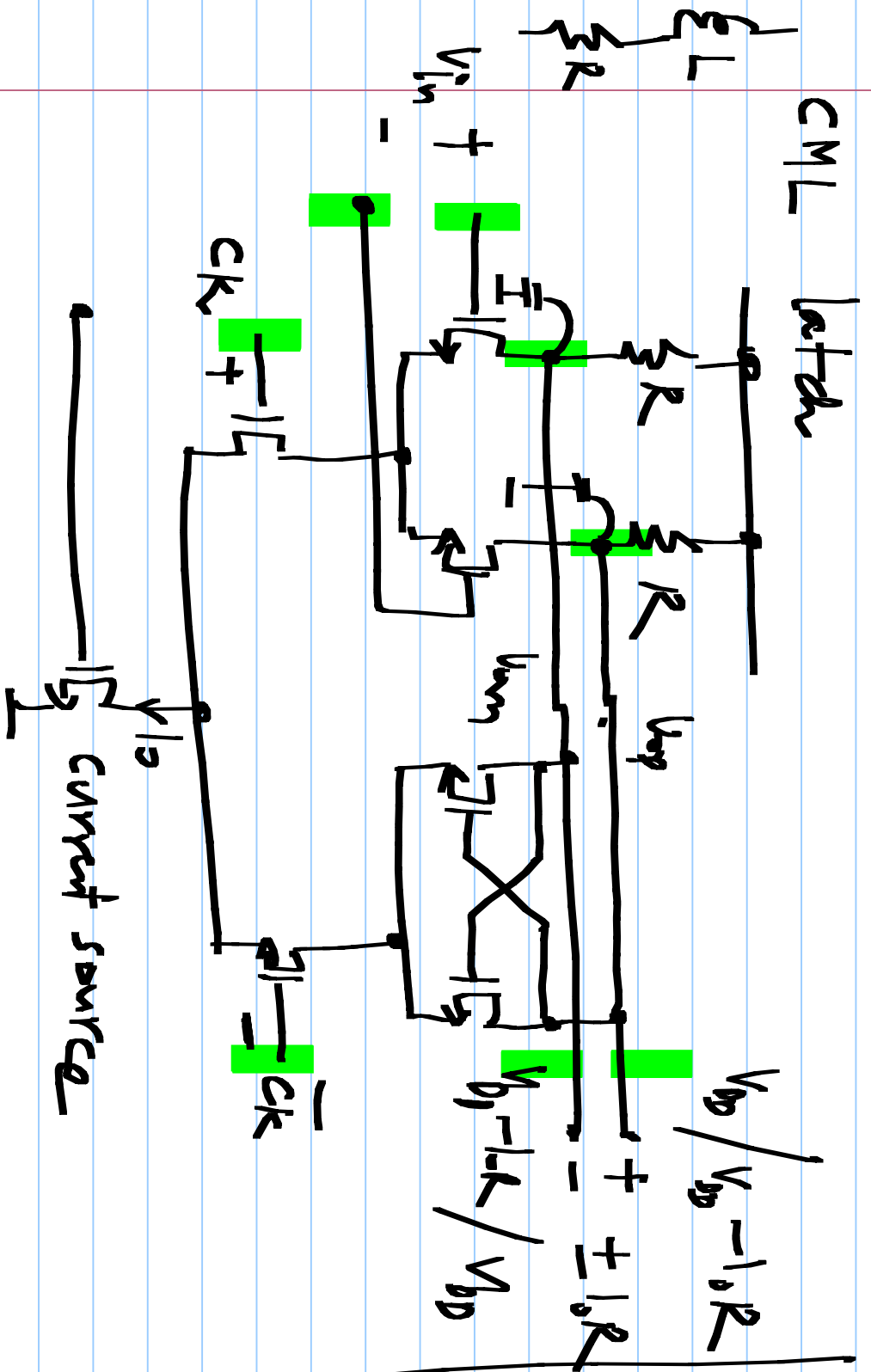


EE6322 Current-mode logic (CML)

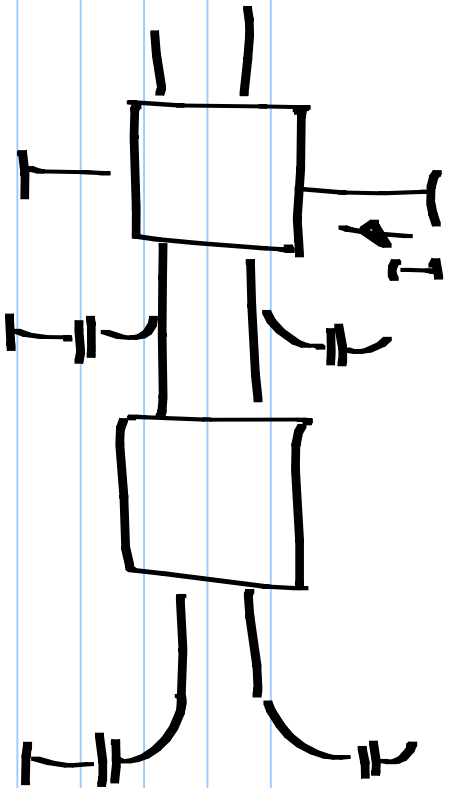
25/4/2018



+ high speed

low swing may need swing converts

high power dissipation

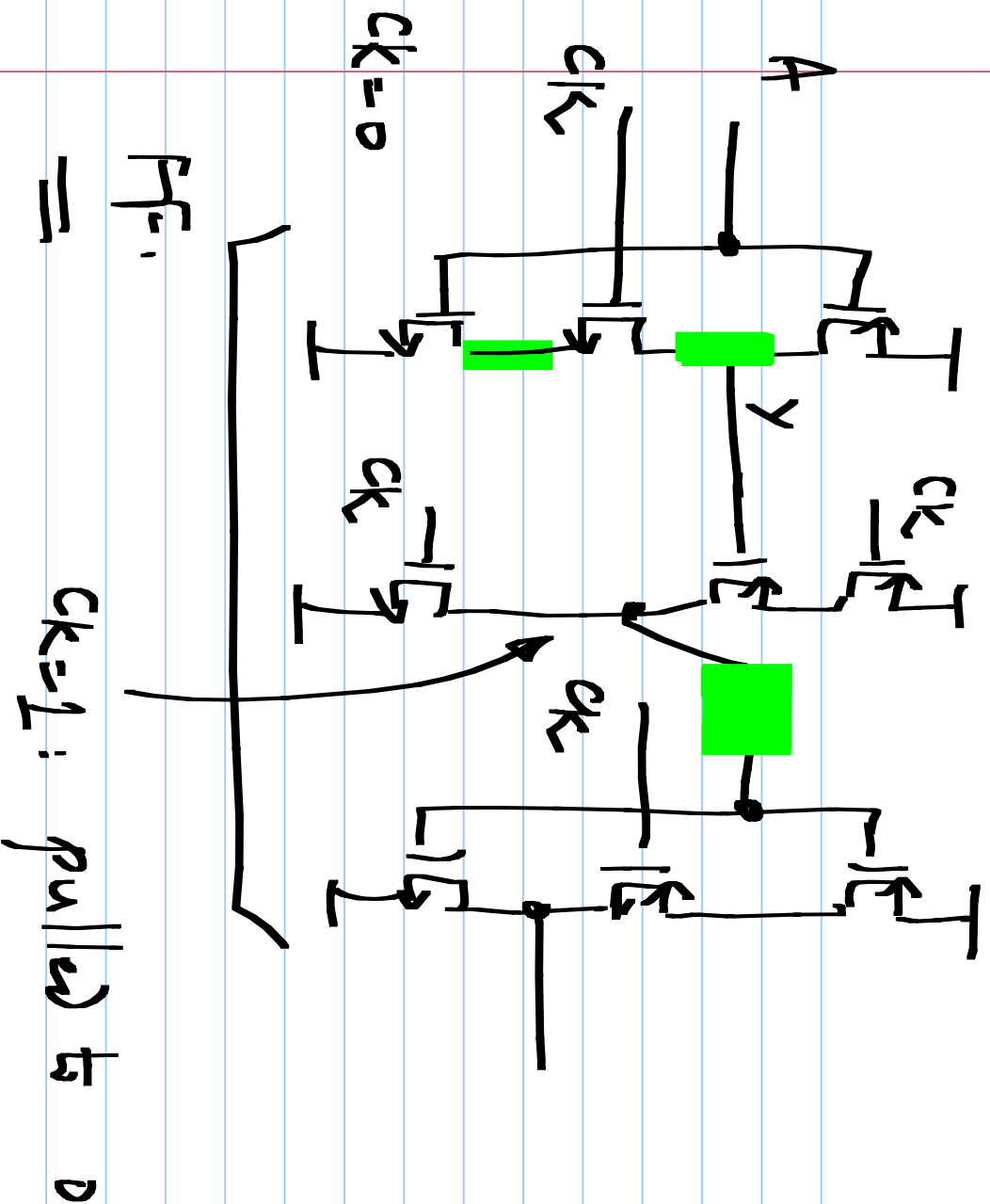


$$\alpha \frac{V_{K5} - V_f}{L^2}$$

Dynamic logic

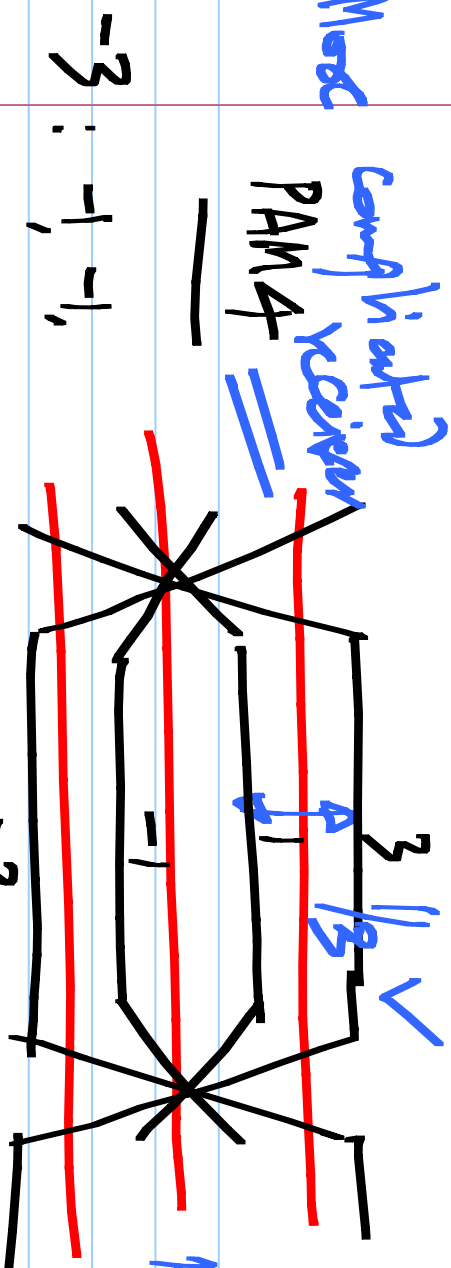
- Min freq. limit

- Charge sharing



Mod

complicated receiver
PAM4



-3 : -1, -1,

-1 : -1, +1, +1

1 : +1, +1, -1

PAM2 / Binary

