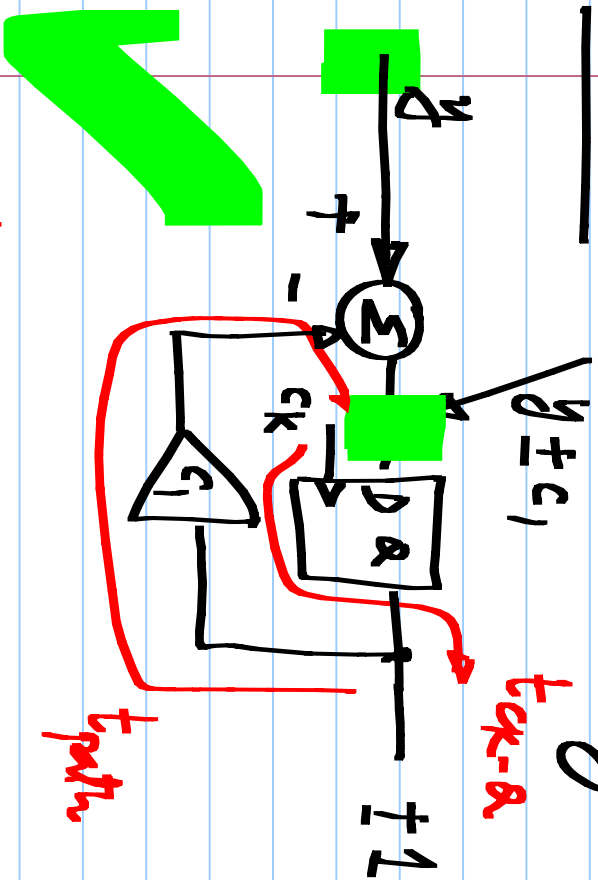


ECE 6322

DFE timing constraint

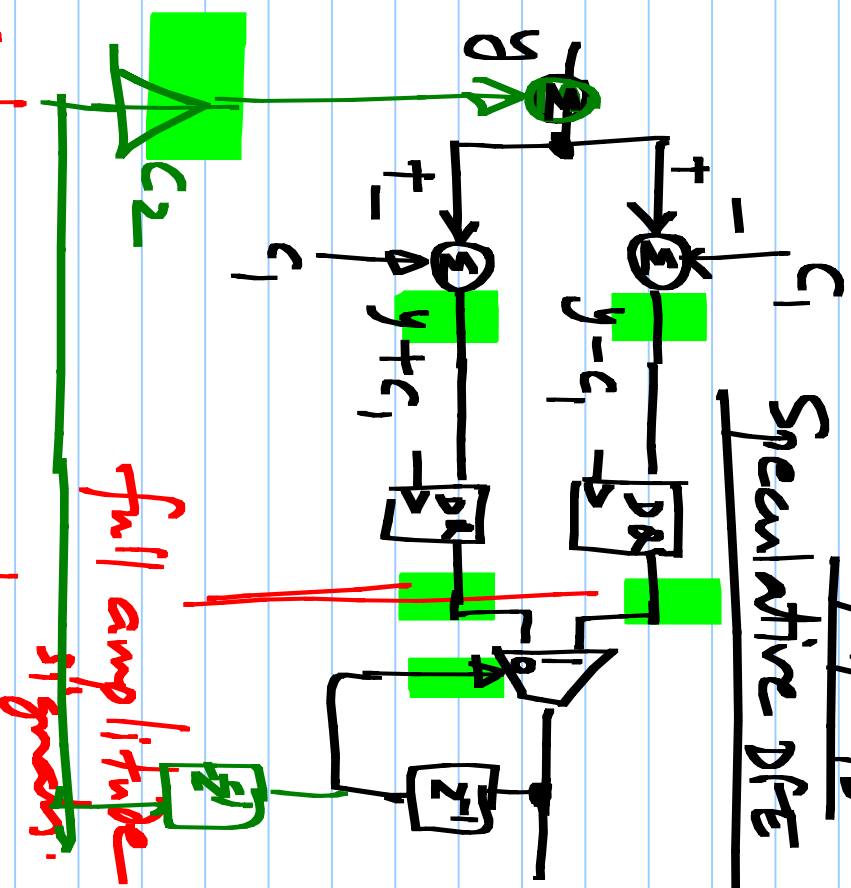
1/7/4/2018



$$t_{ck-Q} + t_{path} \sim 0.5 \cdot T_0$$

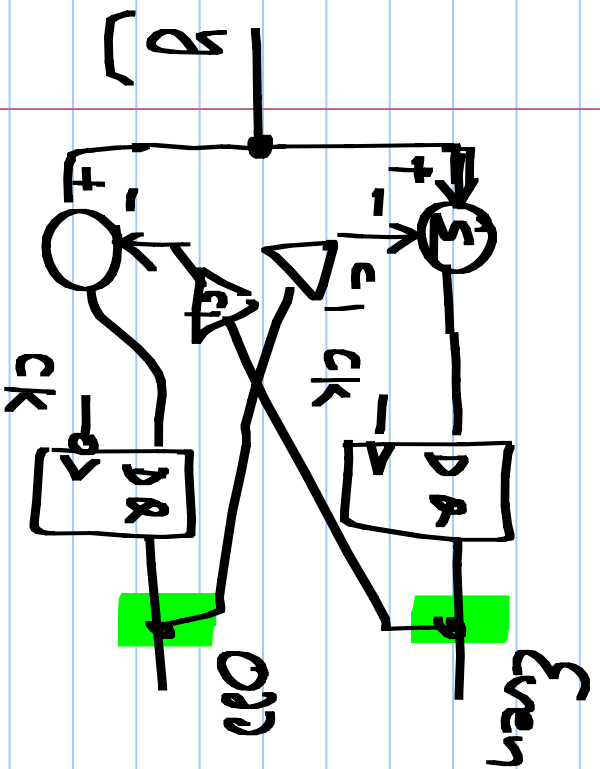


Speculative DFE

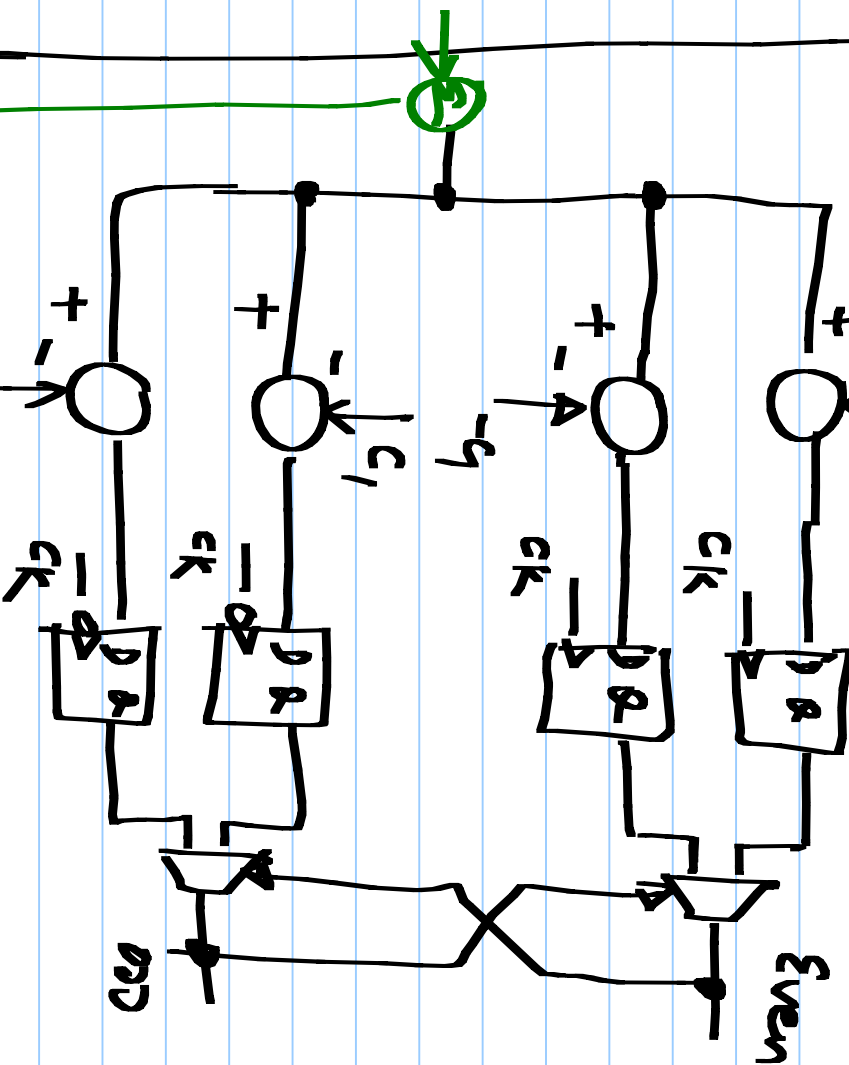


Only a MUX, not a decision within the FB path

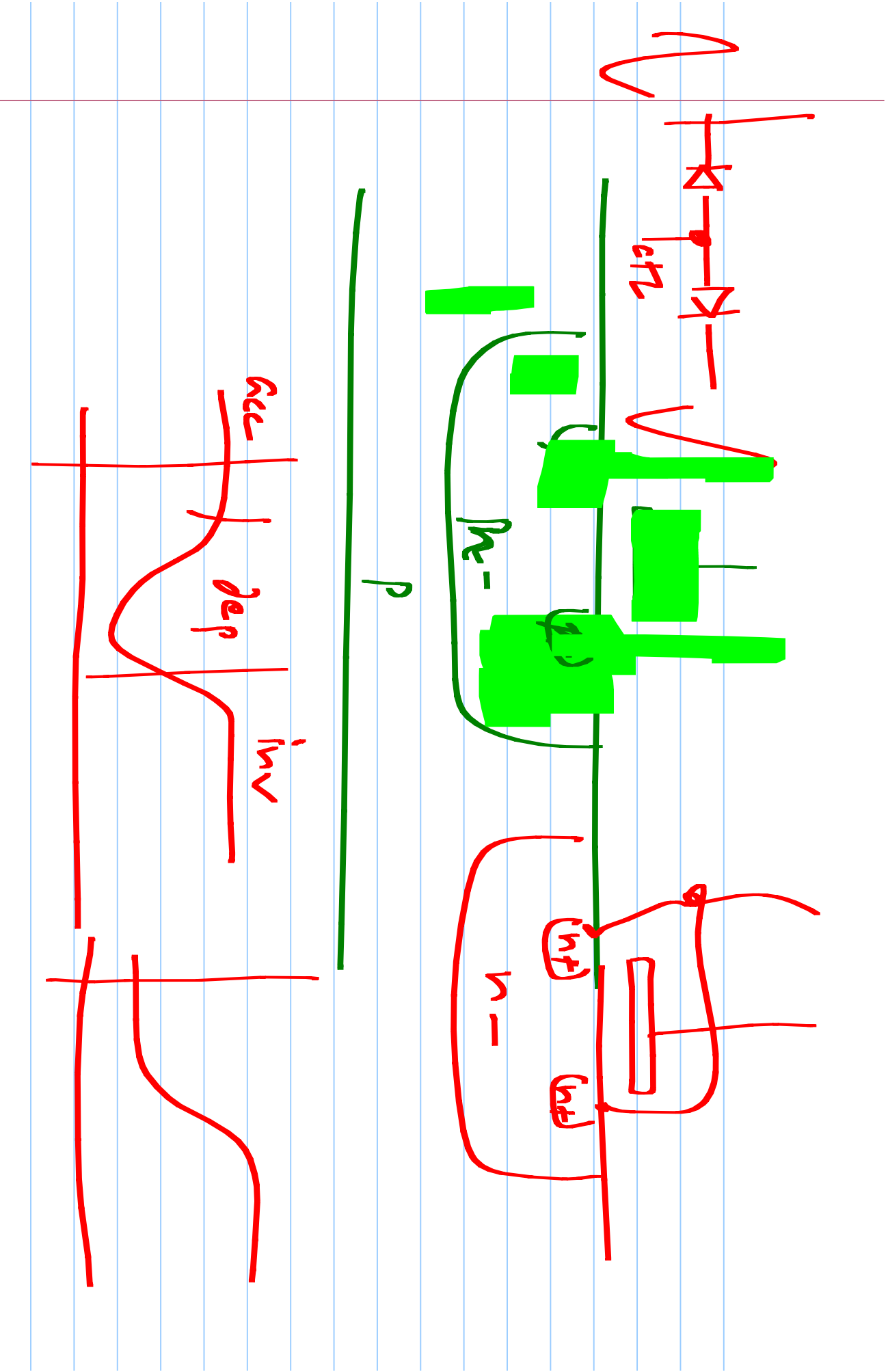
Half rate DFE

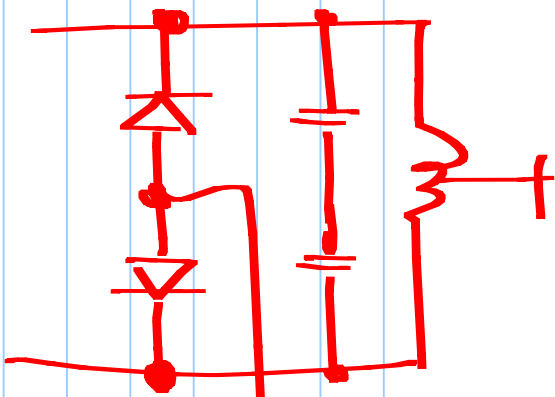


Half rate 1-tap DFE



rest of the taps





V_{in}
 V_{out}

|

