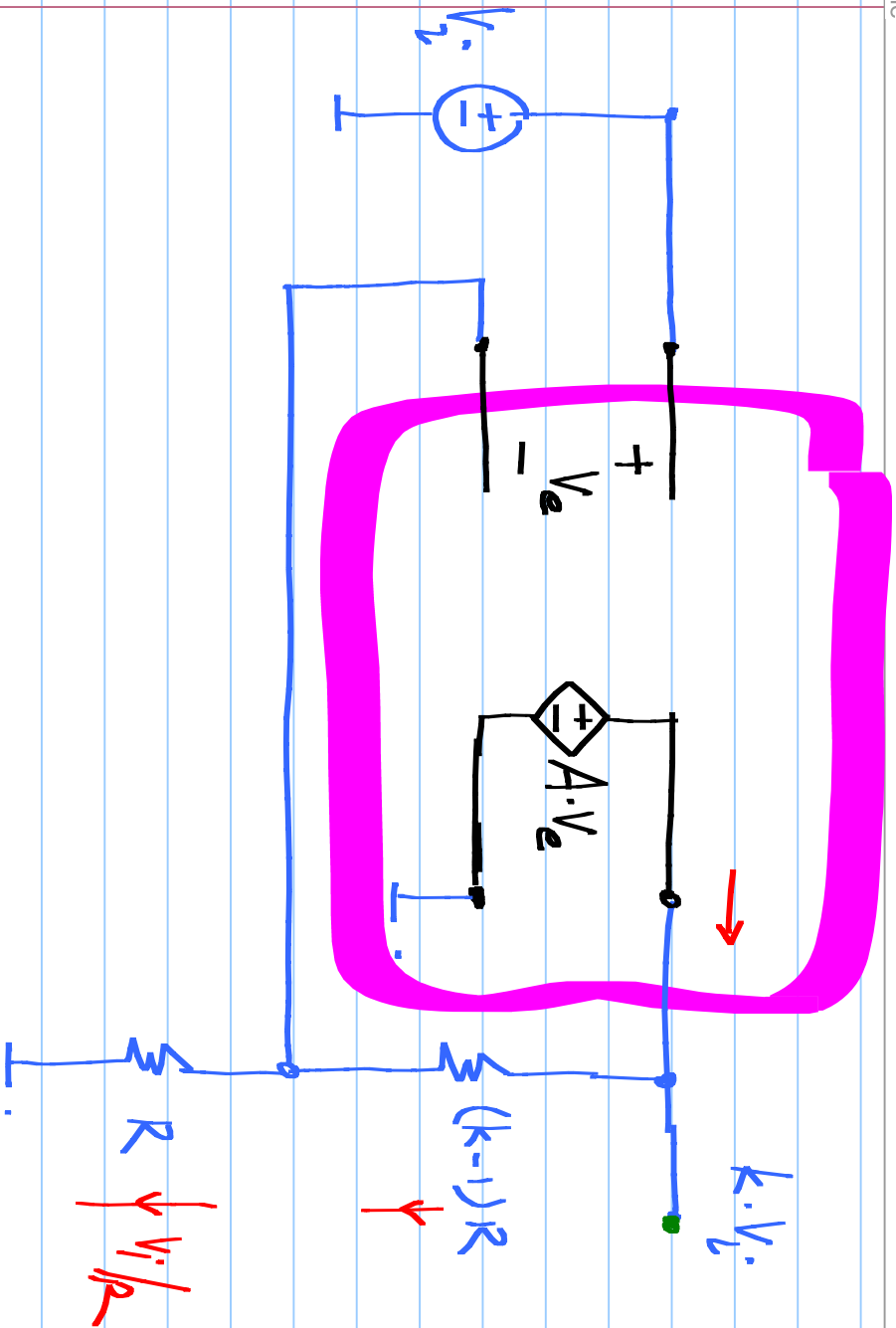
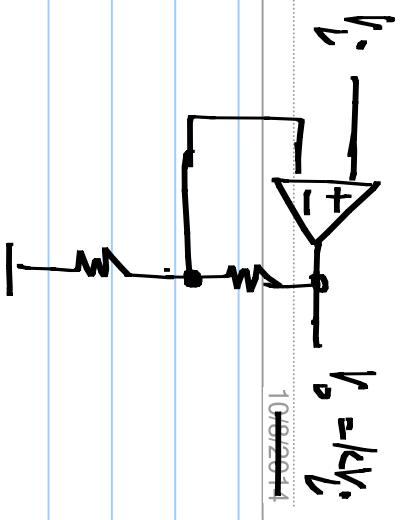
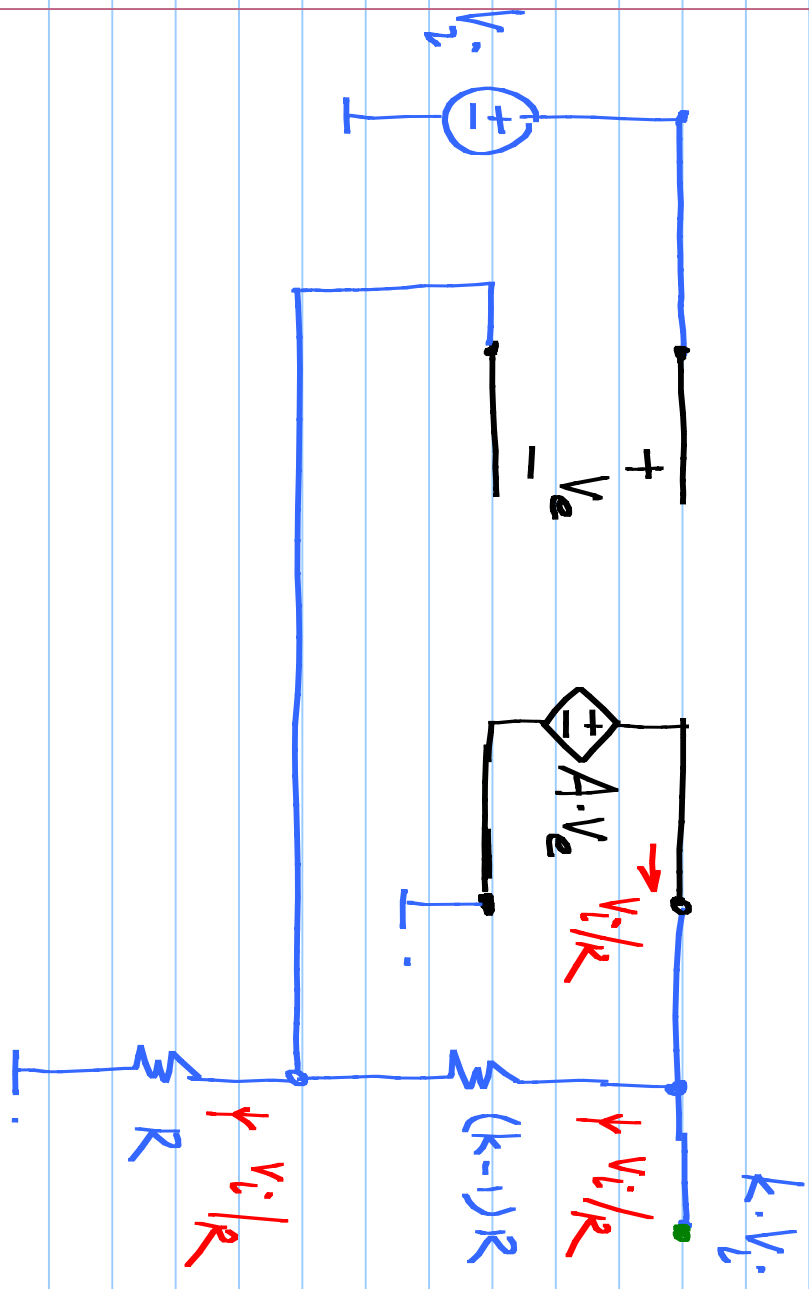


VCVS :  $V_o = kV_i$

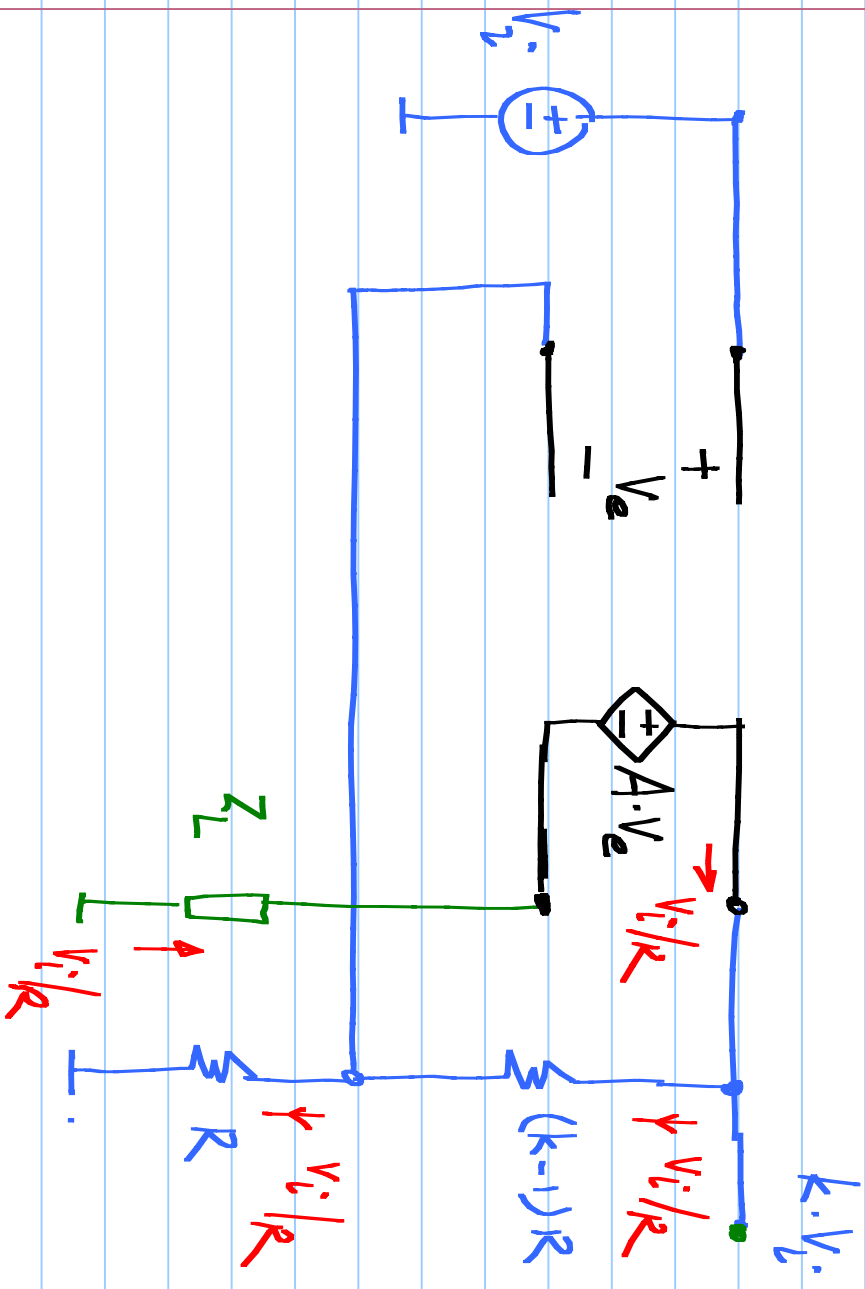




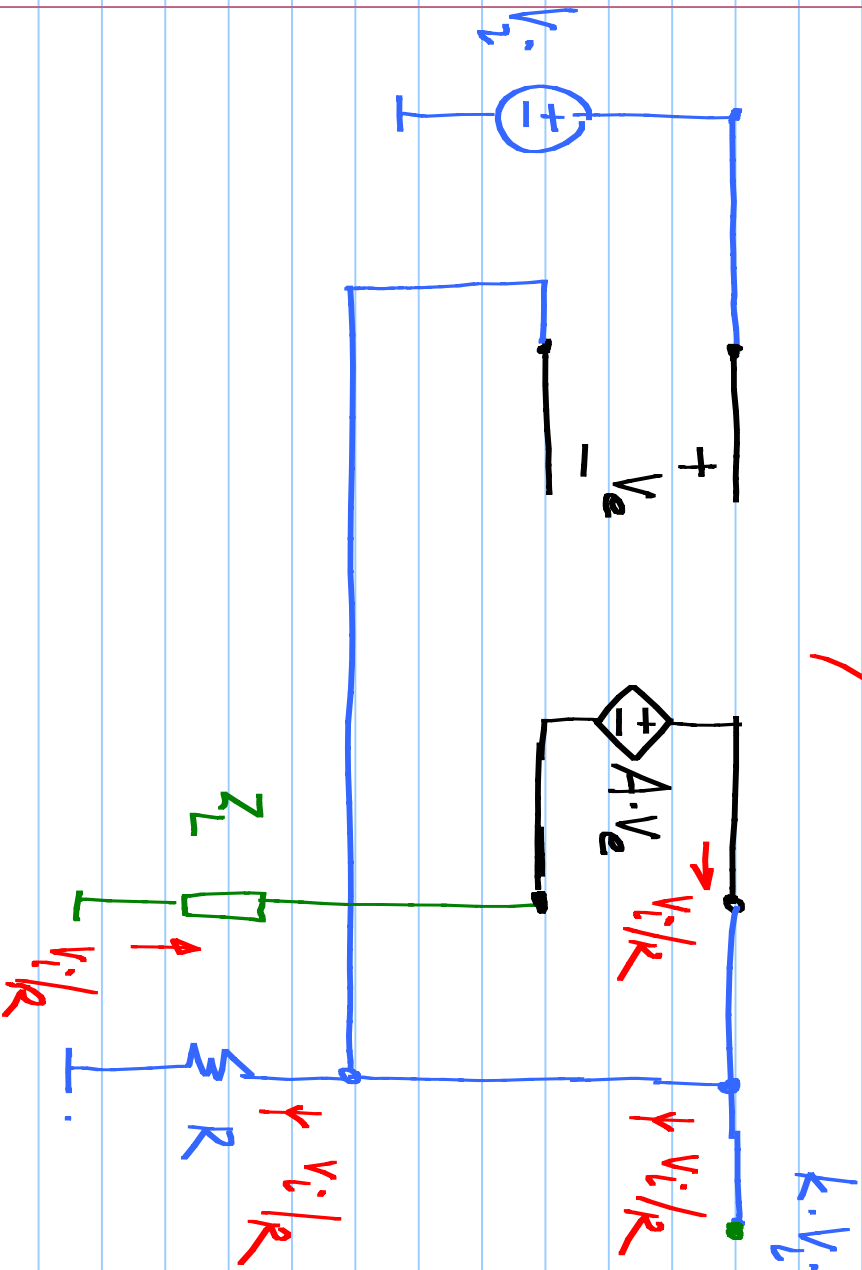
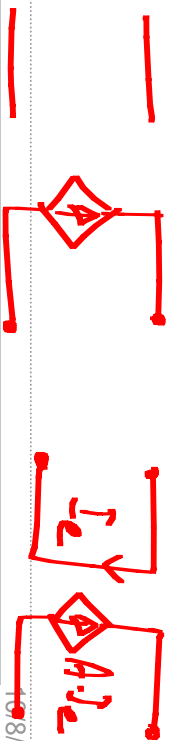
VCCS:  $I_o = v_i / R$

Note Title

10/8/2014



VCCS:  $I_o = V_i / R$

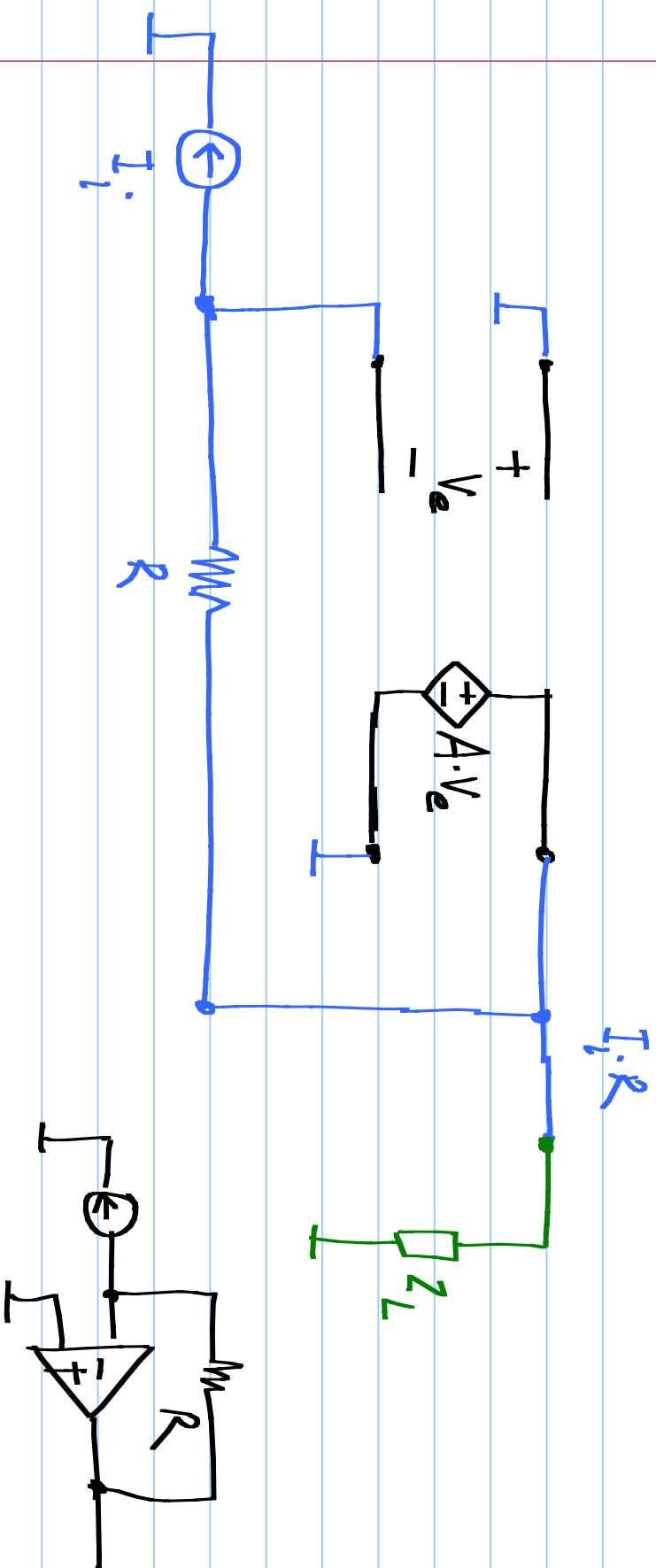


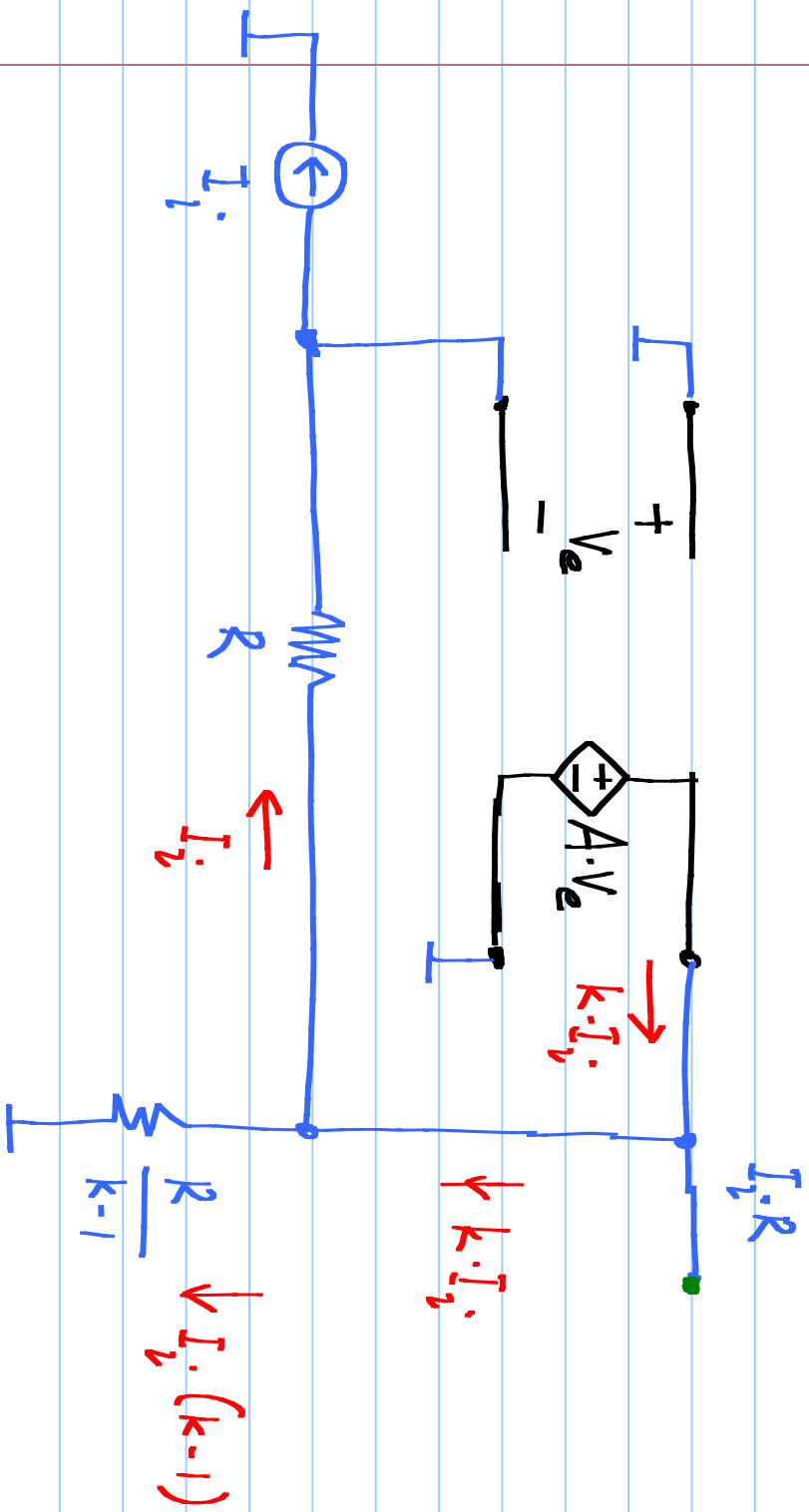
# CCVS

$$V_o = R \cdot I_i$$

Note Title

10/8/2014



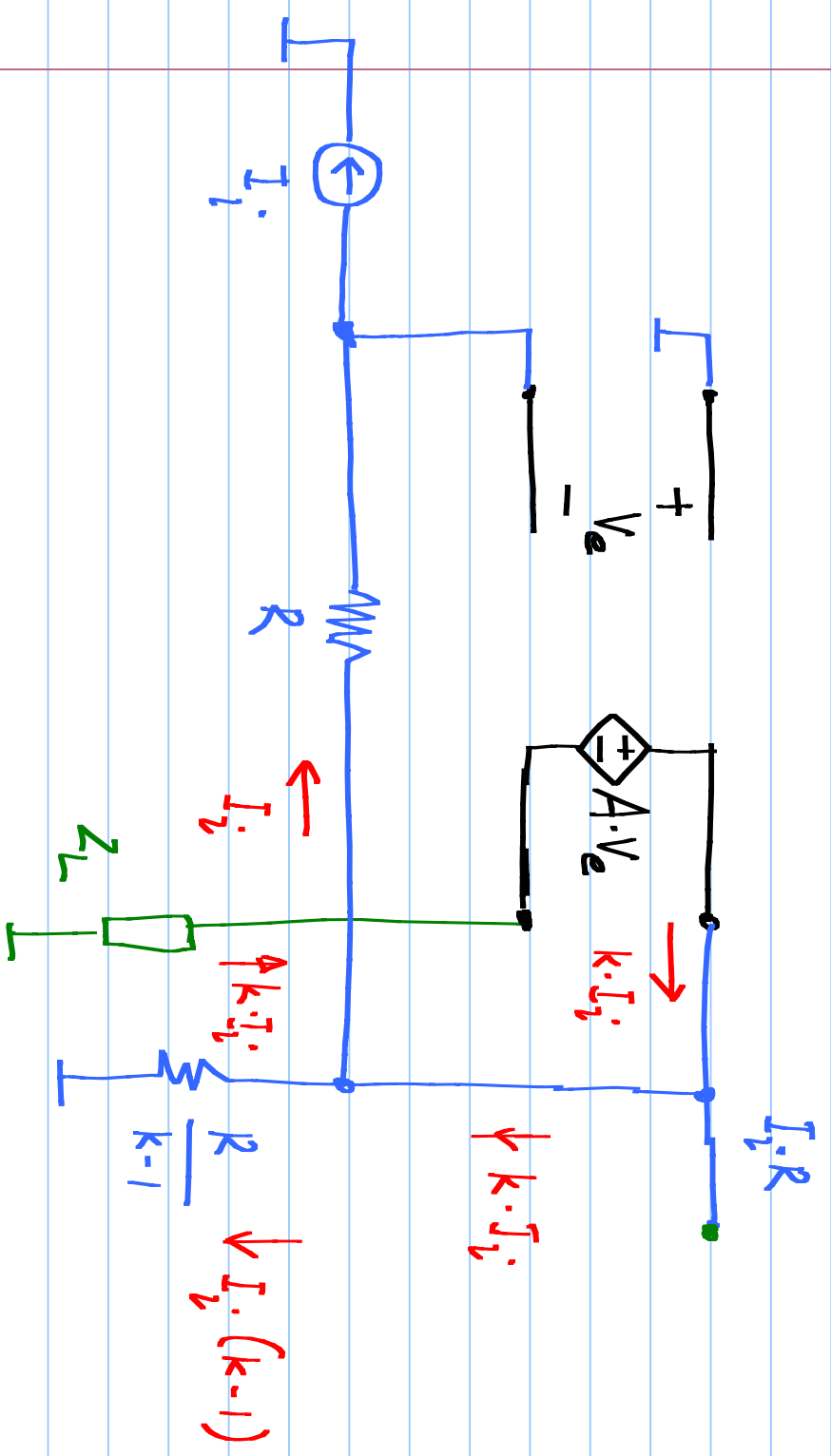


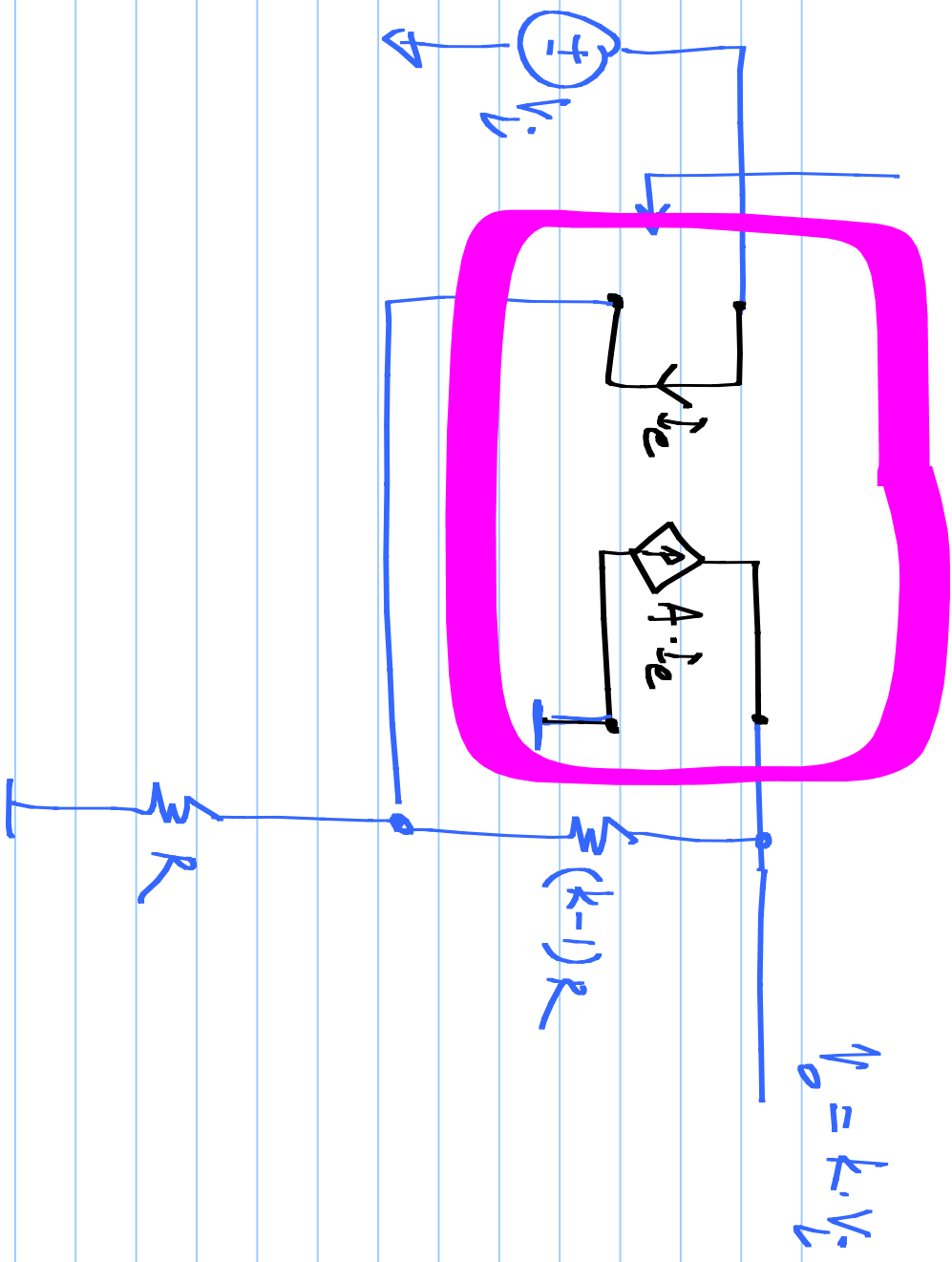
# CCCS

$$I_o = k \cdot I_i$$

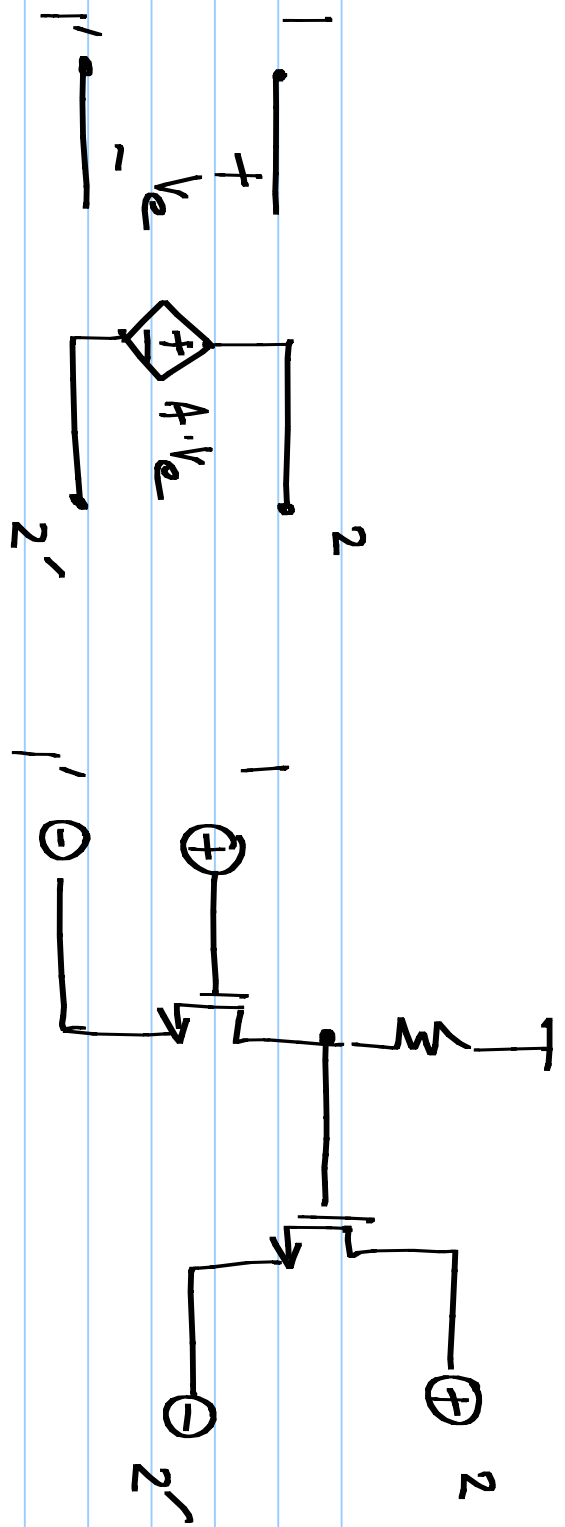
Note Title

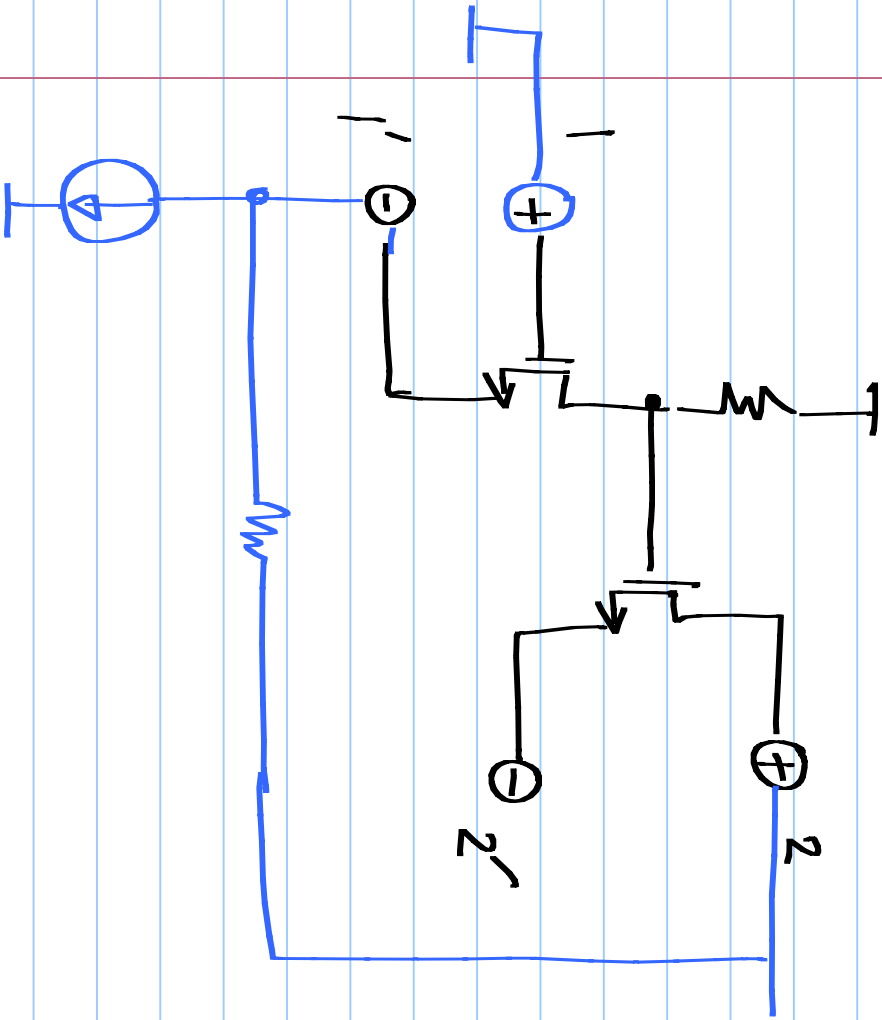
10/8/2014

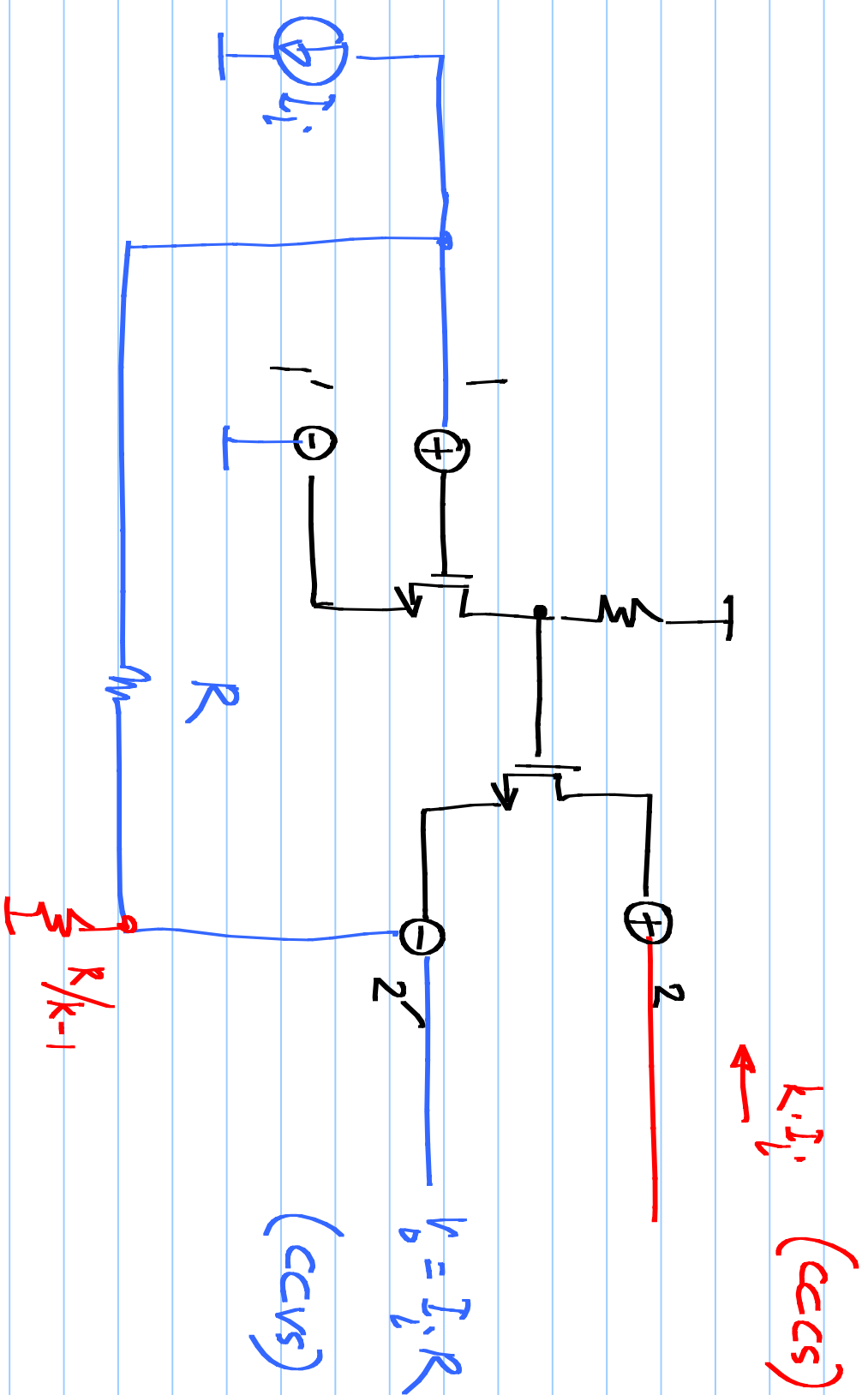


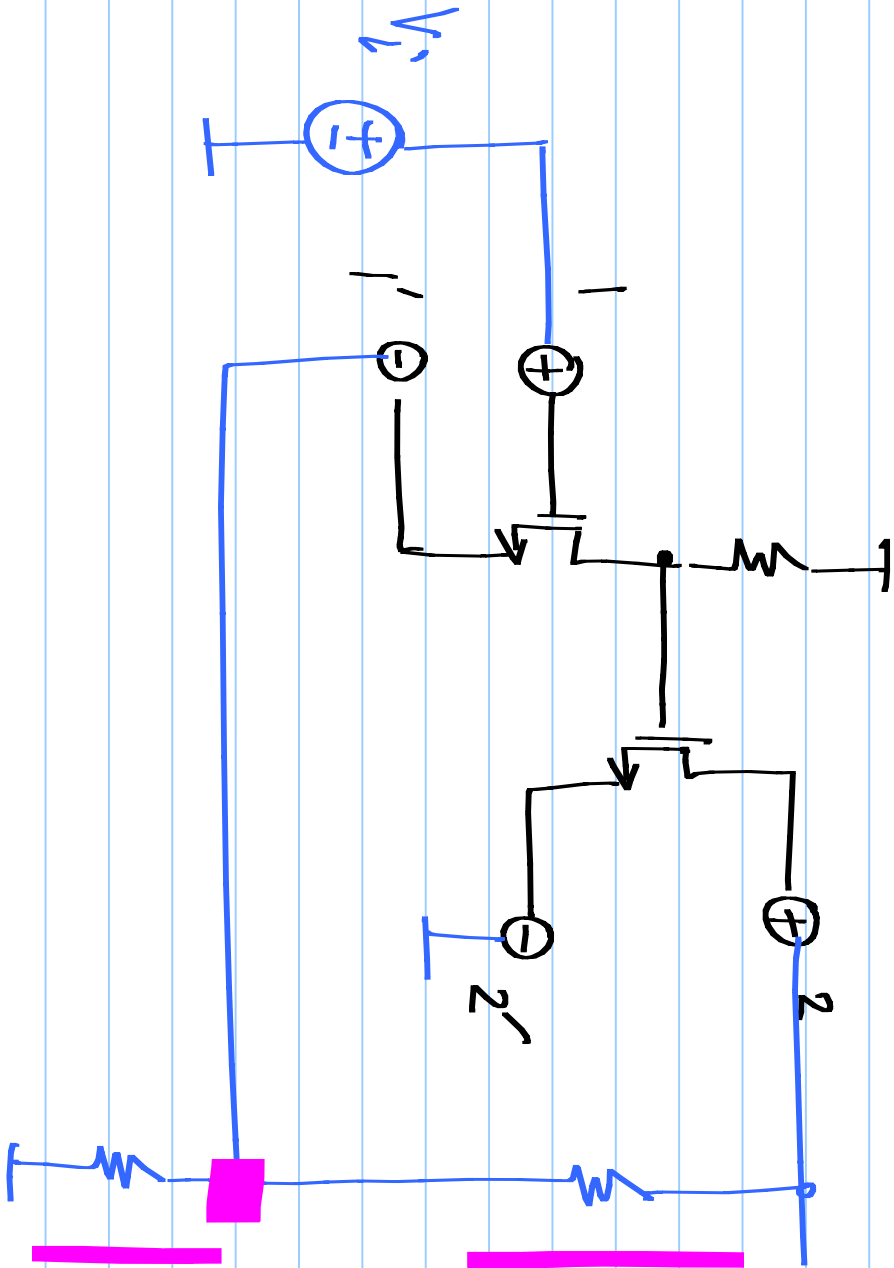


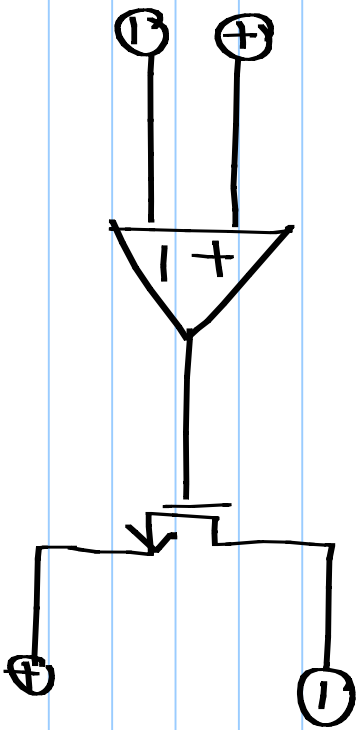
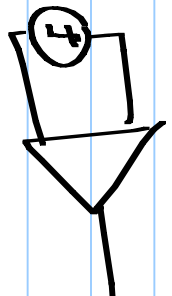
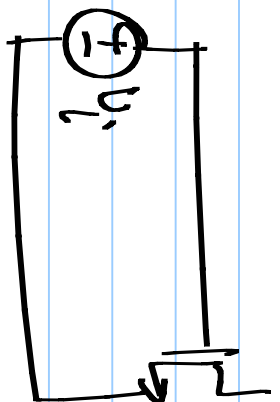












≡

