

EE6320 Homework 3: Due Monday 22/03/2021

Determine the noise figure of the following circuits with respect to a source resistance R_s . Neglect channel length modulation and body effect.

1. Circuit of Figure 1
2. Circuit of Figure 2
3. Circuit of Figure 3
4. Circuit of Figure 4

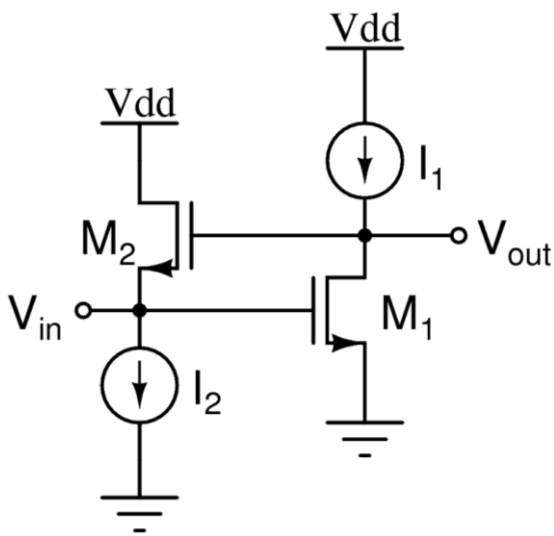


Figure 1

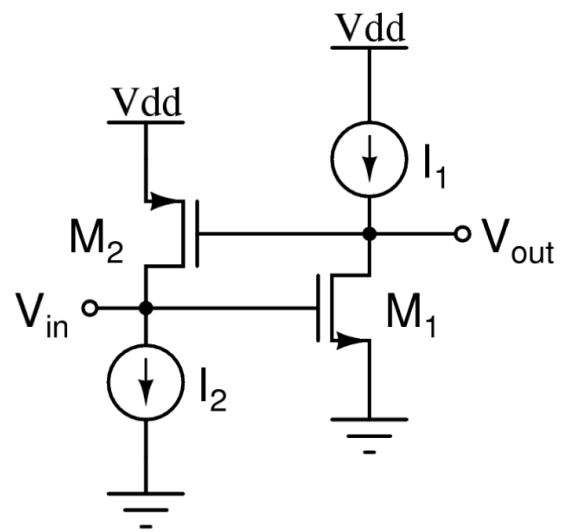


Figure 2

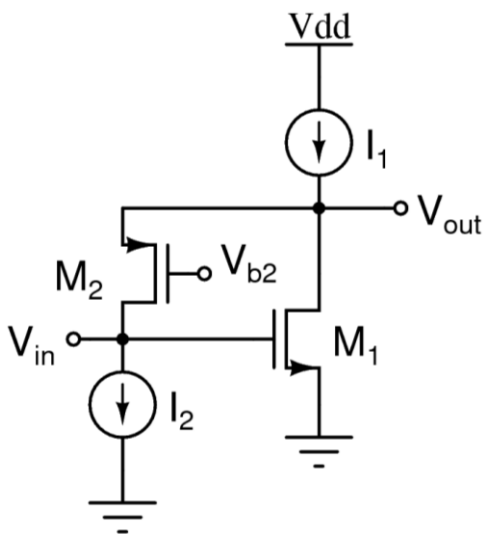


Figure 3

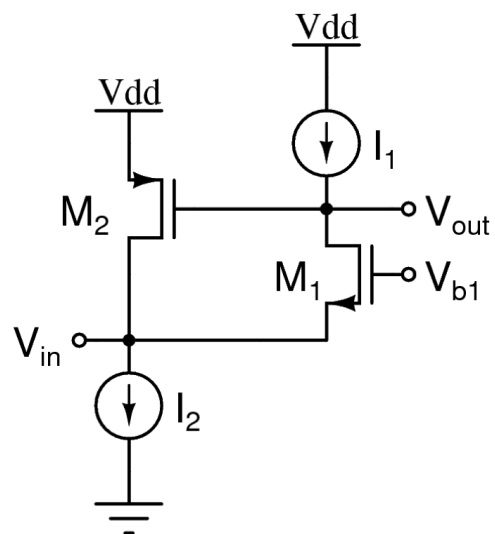


Figure 4