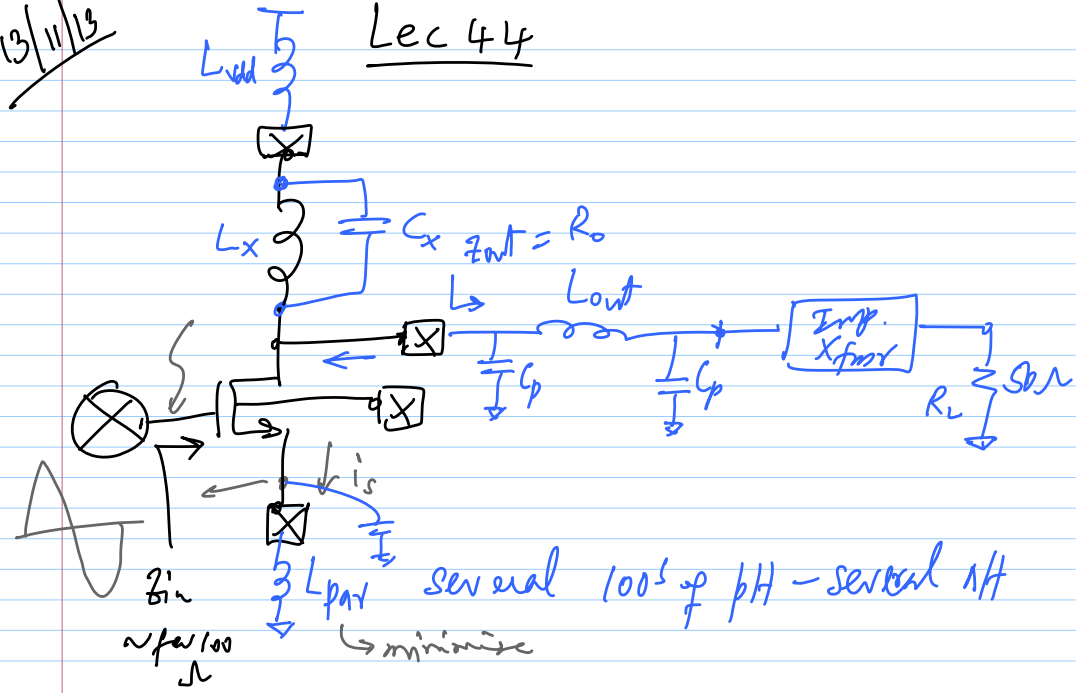


13/11/13

Lec 44



Guard Ring

metal, substrate contacts, diffusion

