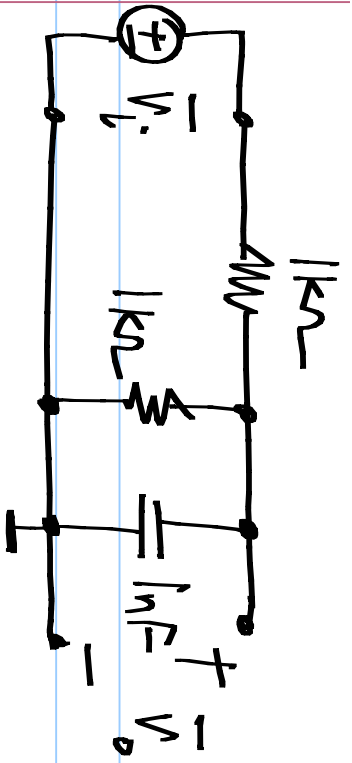
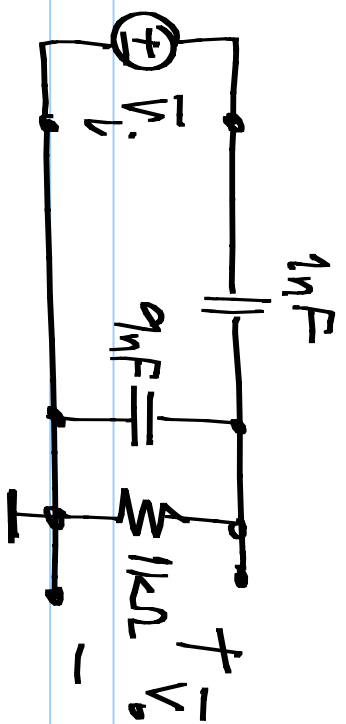


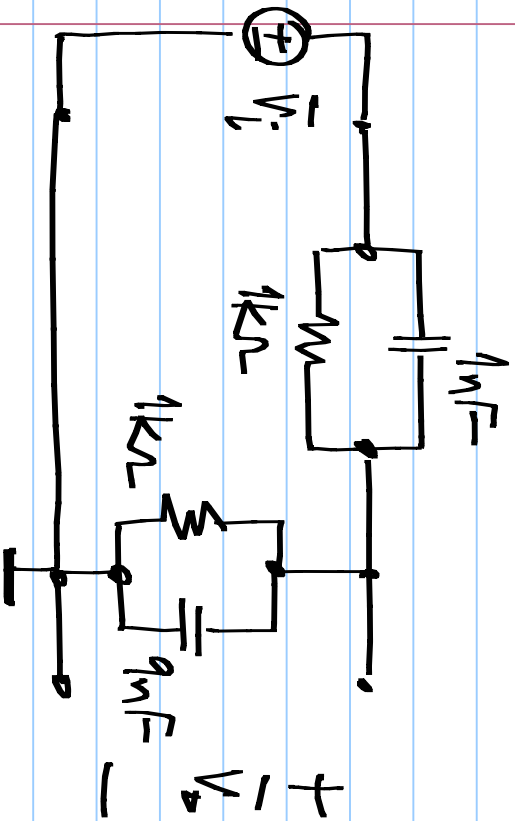
Sketch the magnitude and phase of  $\left| \frac{V_o}{V_i} \right|$  versus frequency. For the magnitude, use logarithmic x- and y-axes. For phase use a linear y- and a logarithmic x-axes. Clearly show all the regions and mark the slope of the magnitude plot in dB/decade.



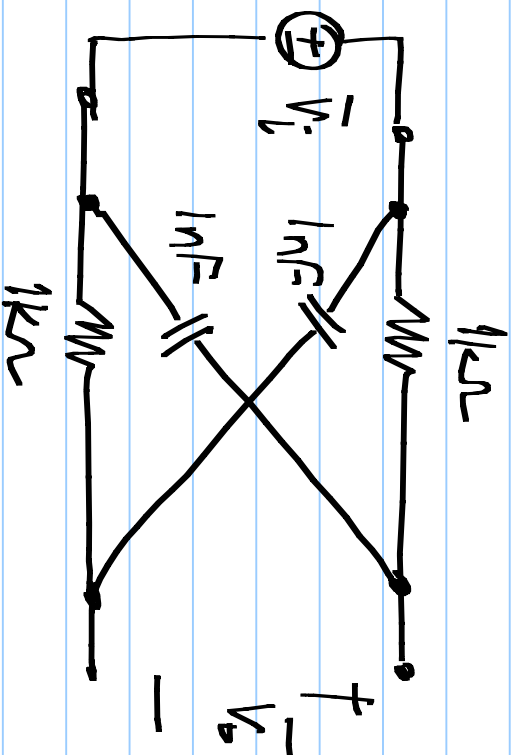
(a)



(b)



(c)



(d)