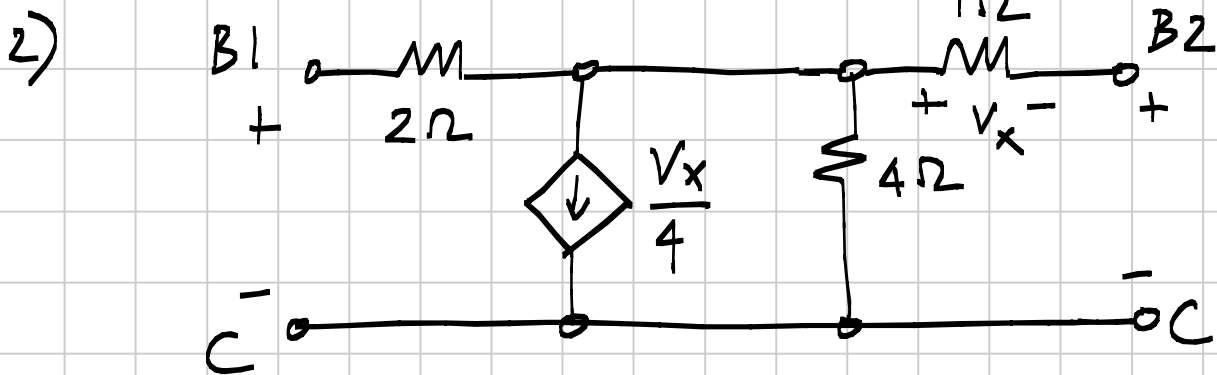
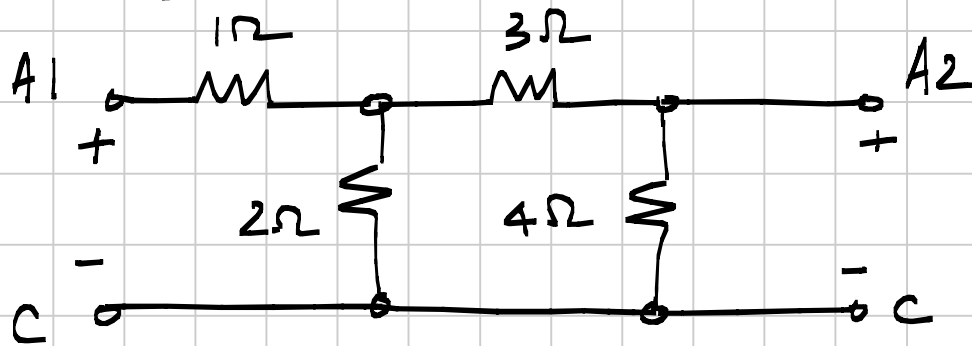


EC5135/EC : Analog Circuits

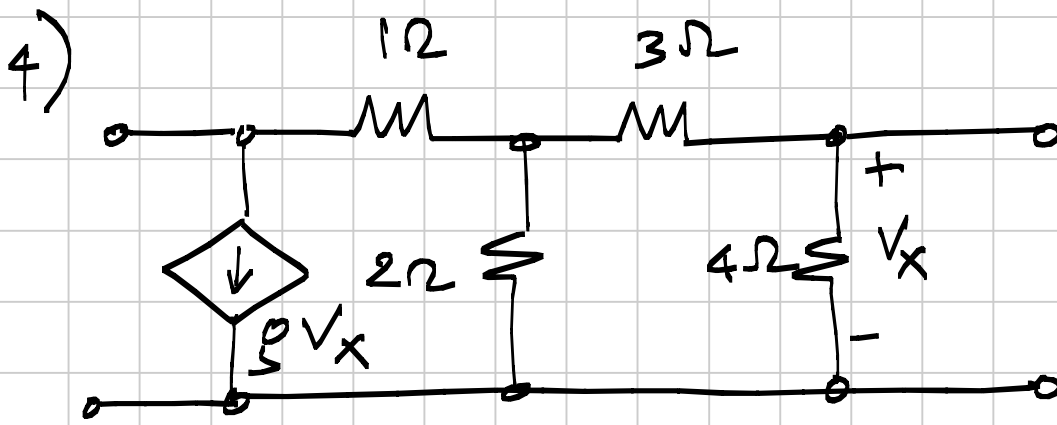
Tutorial 1

- 1) Find the y -parameters of the following 2 port network



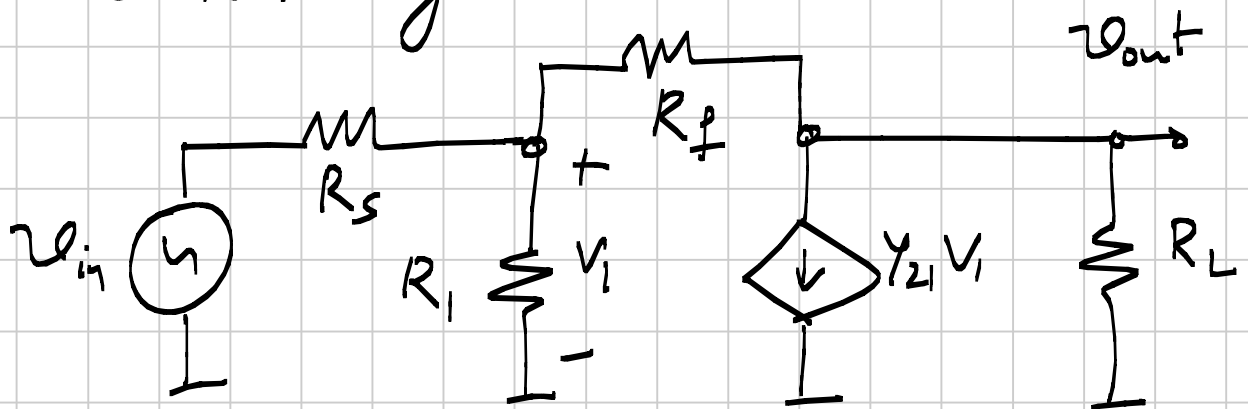
Determine the y -parameters of the network above.

- 3) The terminals A1 & B1 in the figures above are shorted. So are A2 & B2, and the terminals marked C. Determine the y -parameters of the resulting 2 port.



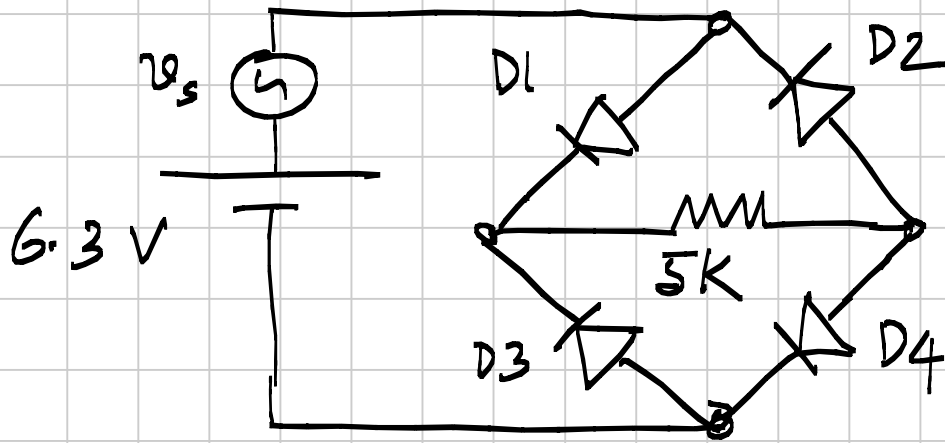
What do you understand by a unilateral two port? What constraint(s) does it impose on the y -matrix? The network above needs to be made unilateral. Determine "g" for this to happen.

5) Determine the voltage gain of the following network.



Evaluate the limit of this gain as $y_{21} \rightarrow \infty$.

6)

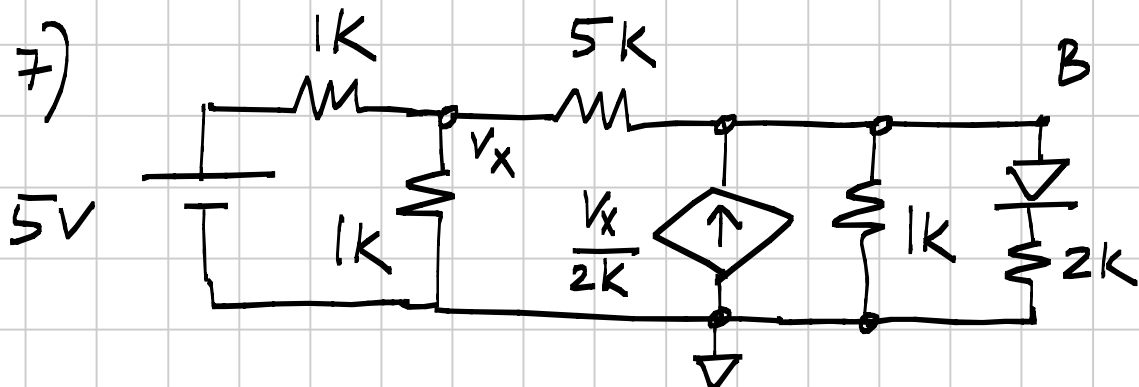


v_s is a small signal. Determine

- (a) the operating points of the diodes
- (b) the DC current through the 5K resistor
- (c) the incremental voltage across the 5K resistor.

Assume that $V_f = 0.65V$

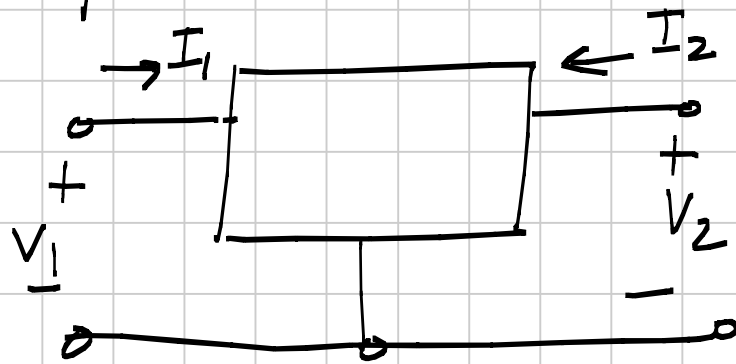
7)



Determine the quiescent current through the diode. If a small

Signal source v_s is inserted in series with the 5V source, determine the TOTAL voltage at B. V_T can be assumed to be 0.6 V.

8) A passive three terminal two port is shown below.



It is characterized by the equations

$$I_1 = \alpha V_1$$

$$I_2 = \beta V_1^2 + \gamma V_2$$

Where α, β, γ are positive constants with appropriate dimensions.

(a) Sketch the input & output

Characteristics of the device.

(b) Determine the incremental y -matrix when the two port is biased at an operating point (V_1, V_2) .

(c) Is this a passive two port?

Problem

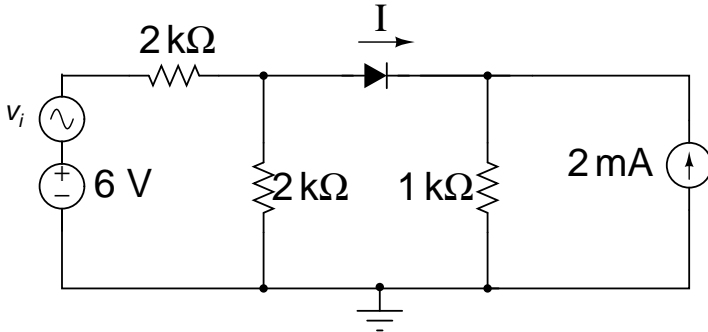


Figure 1: Circuit for Problem

For the circuit of Figure 1, assume that v_i is an incremental voltage source. Determine the operating point of the network. Find also the small signal voltage across the $1\text{ k}\Omega$ resistor.

Problem

In this problem, we delve deeper into the notion of “small signal”. Consider two nonlinear amplifiers, with input-output characteristics given by $V_{out} = \frac{V_{in}^2}{V_A}$ and $V_{out} = V_A \exp(\frac{V_{in}}{V_A})$.

- An incremental gain of 10 is desired of both amplifiers. Determine the operating points so that this gain may be achieved.
- We saw in class that the “small signal” approximation is valid only when the higher order terms in the Taylor series can be safely neglected in relation to the linear term. Compare the second order derivative of the two amplifiers around the operating point. What can you say about the relative magnitudes of the incremental inputs for each of the amplifiers which qualify as small signals?