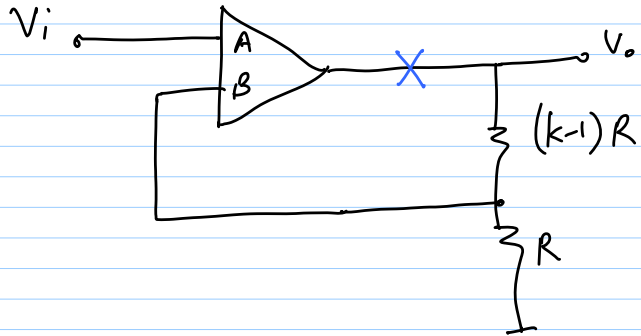
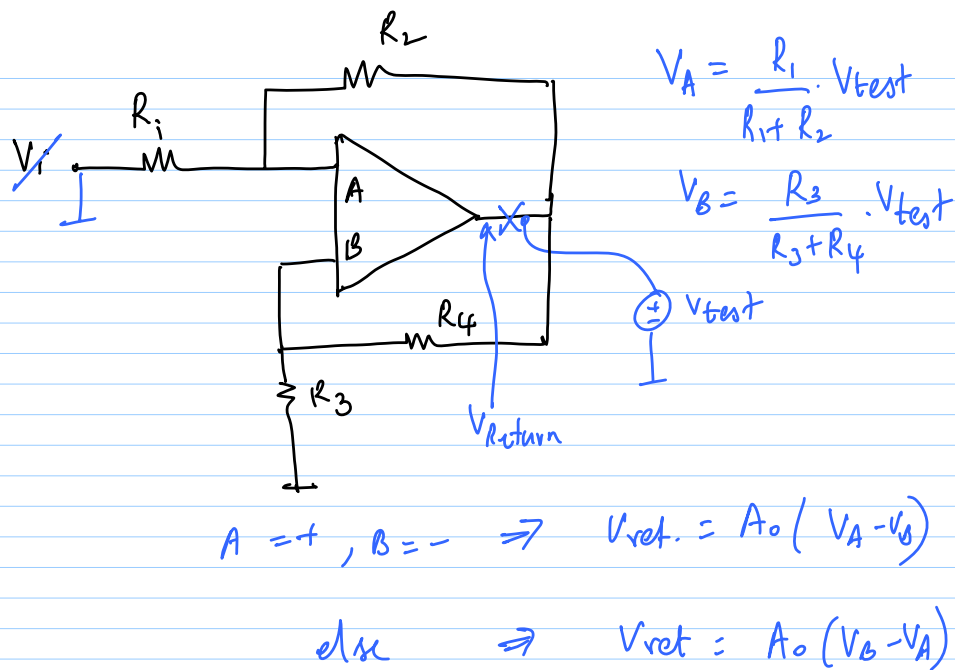
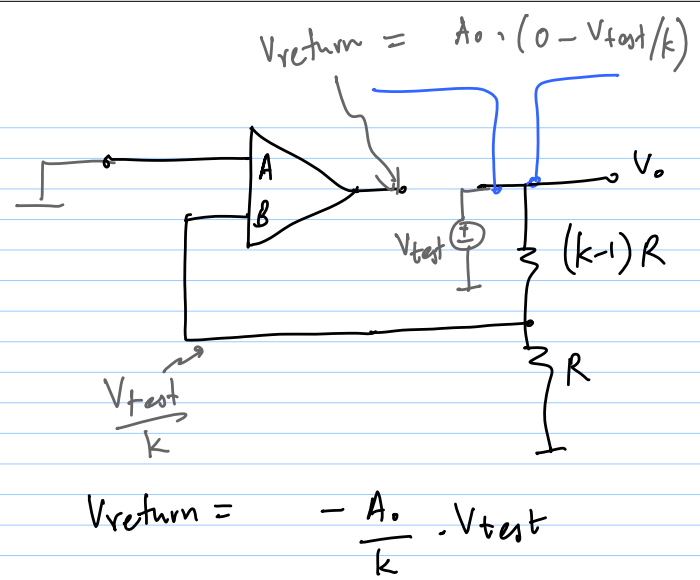


9/3/15

Lec 22
Opamp signs for negative f.b.



- * Set all inputs to the ckt to zero
- * Break the loop @ opamp output



Analysis of Ideal opamp-based circuits

