

ANALOG CIRCUITS : PROBLEM SET 5

Problem 1

(CURRENT SOURCE) The following configuration acts like a constant current source for varying loads R_L . Within what range can R_L vary ?

Suppose that R_L varies from 1K to 5K. v_{CE} must be greater than or equal to 1 volt, always. Also $I_o = 2\text{mA}$; $I_o R_e = 5\text{V}$, $V_{BE} = 0.65\text{V}$. Find R_1 , R_2 , R_e and V_{ee} assuming current in the resistors on the base side to be 1 mA.

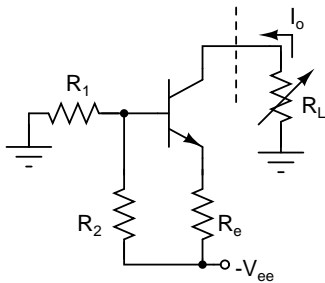


Figure 1: Problem 1

0.1 ANSWERS 1:

$$\begin{aligned} V_{ee} &= 16\text{V} \\ R_1 &= 10.35\text{K} \\ R_2 &= 5.65\text{K} \\ R_e &= 2.5\text{K} \end{aligned}$$

Problem 2

v_o should just begin to distort at both the ends. Calculate V_{cc} and V_{ee} . Take $V_{BE} = 0.65\text{V}$ nominally. $v_s = 6 \sin \omega t \text{V}$.

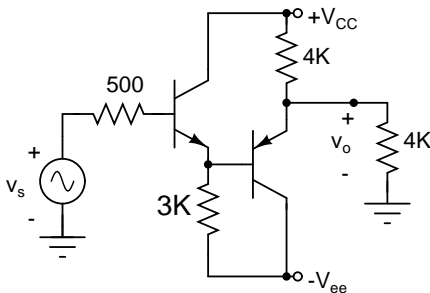


Figure 2: Problem 2

0.2 ANSWERS :

$$\begin{aligned} V_{CC} &= 12\text{V} \\ V_{ee} &= 6.65\text{V} \end{aligned}$$

Note: The circuit is directly coupled and level shifting is brought about by use of a pnp transistor.

Problem 3

(RESISTANCE OF CURRENT SOURCES). Consider the following current sources used in integrated circuits. All unmarked transistors have size (W/L). The device marked 0.25 in part (c) has a size of 0.25 (W/L). All unmarked transistors have a $V_{SG} - |V_{TP}| = \Delta V$, and an output resistance of r_o . For each of the current sources, determine the incremental output impedance and the highest voltage that can be supported before one of the devices in the current source goes out of the active region.

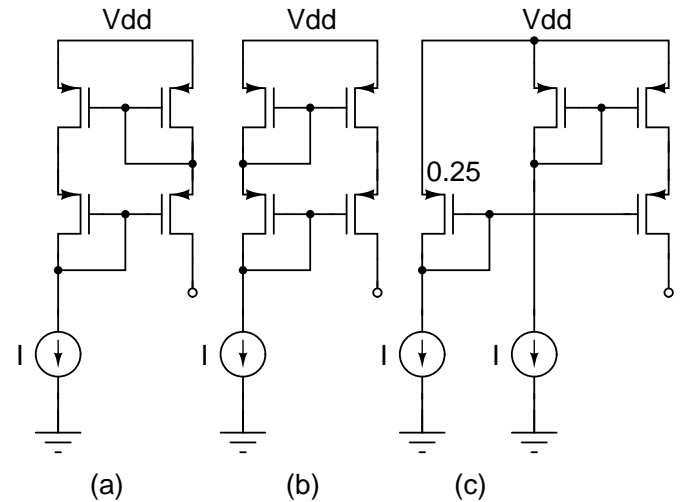


Figure 3: Problem 3

Problem 4

All transistors are identical and the Q-currents in all three are the same. V_{EB} or $V_{BE} = 0.65\text{V}$, nominally. For T_3 , $V_{ECQ} = 7\text{V}$ and $I_{CQ} = 2\text{mA}$. Find R_1 , R_2 , R_3 and V_{CC} .

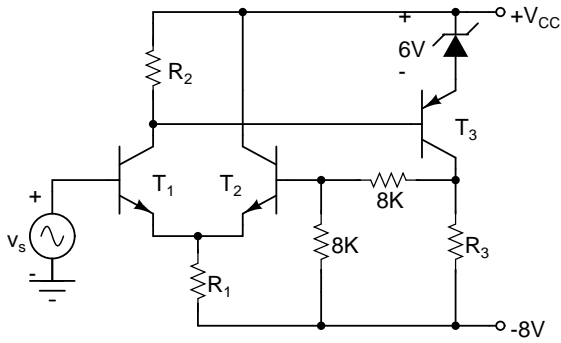


Figure 4: Problem 4

0.3 ANSWERS :

$$\begin{aligned}
 R_1 &= 1.8375K\Omega \\
 R_2 &= 3.325K\Omega \\
 R_3 &= 16K\Omega \\
 V_{CC} &= 21V
 \end{aligned}$$

Problem 5

Take V_{BE} or $V_{EB} = 0.65V$, nominally. Assume ideal DC functioning with 0 DC offset at the output. Take $V_T = 25mV$, $\beta = 200$. Find all dc Q-level voltages and currents. Calculate k , R_{ia} , R_{oa} .

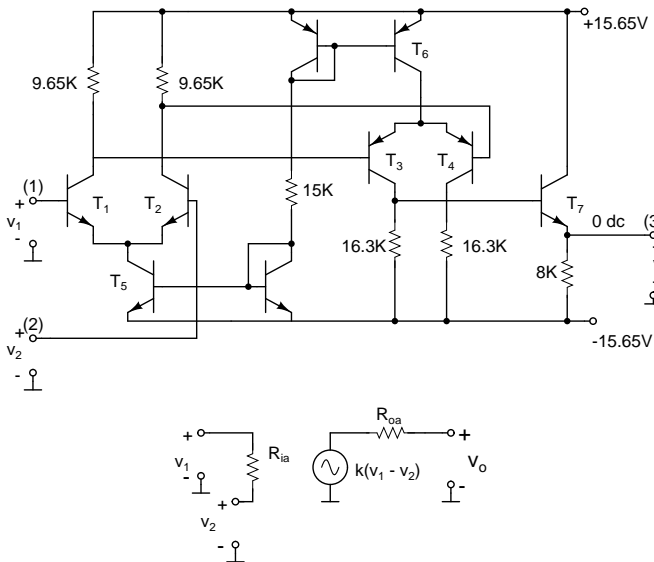


Figure 5: Problem 5

0.4 ANSWERS:

$$k = 42166.18; R_{ia} = 10.05K; R_{oa} = 92.79\Omega.$$

$$\begin{array}{lll}
 T_1 & T_2 & V_{CEQ} = 6.65V; 1mA \\
 T_3 & T_4 & V_{CEQ} = 6V; 1mA
 \end{array}$$

$$\begin{array}{lll}
 T_5 & V_{CEQ} & = 15V \\
 T_6 & V_{CEQ} & = 9V \\
 T_7 & V_{CEQ} & = 15.65V; 1.956mA
 \end{array}$$

Problem 6

V_{BE} or $V_{EB} = 0.65V$, nominally. Take $R = 100\Omega$, $V_T = 25mV$, $h_{fe} = 299$. Current sources C_1 and C_4 are ideal while C_2 and C_3 have an incremental resistance of R_C which is $337.5K$.

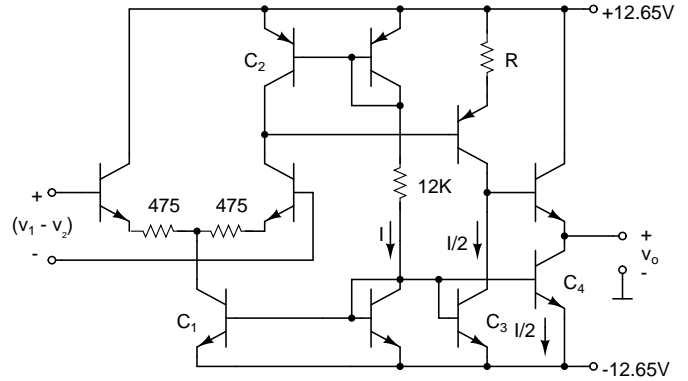


Figure 6: Problem 6

Calculate k , R_{ia} , R_{oa} for small signals.

0.5 ANSWERS:

$$k = -90518.5125; R_{ia} = 300K\Omega; R_{oa} = 1.15K\Omega.$$

Problem 7

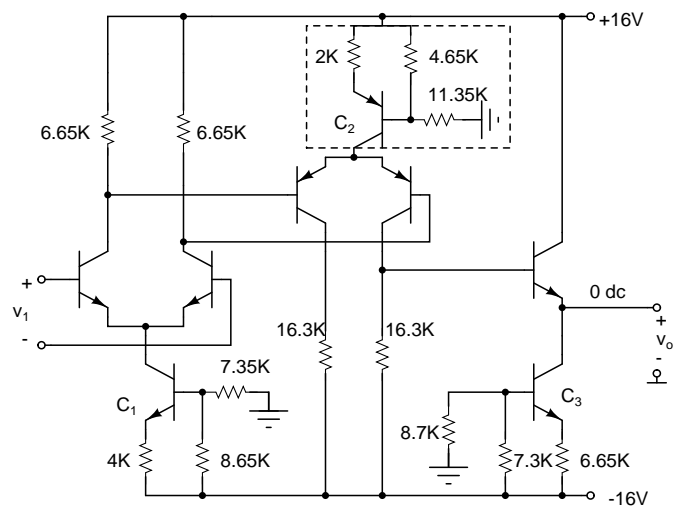


Figure 7: Problem 7

Current source C_3 is ideal while C_1 and C_2 have an incremental resistance of $200K$. $V_T = 25mV$, $\beta = 265$. Find R_C , R_{ia} , R_{oa} , k and the CMRR. Find also the allowed swings of v_o .

0.6 ANSWERS :

$$\begin{aligned}
 R_C &= 16.65K \\
 R_{ia} &= 13.3K \\
 R_{oa} &= 87.59\Omega \\
 k &= 43956.6 \\
 CMRR &= 128 * 10^6 \\
 -8.7 < v_o < 8.7
 \end{aligned}$$

Problem 8

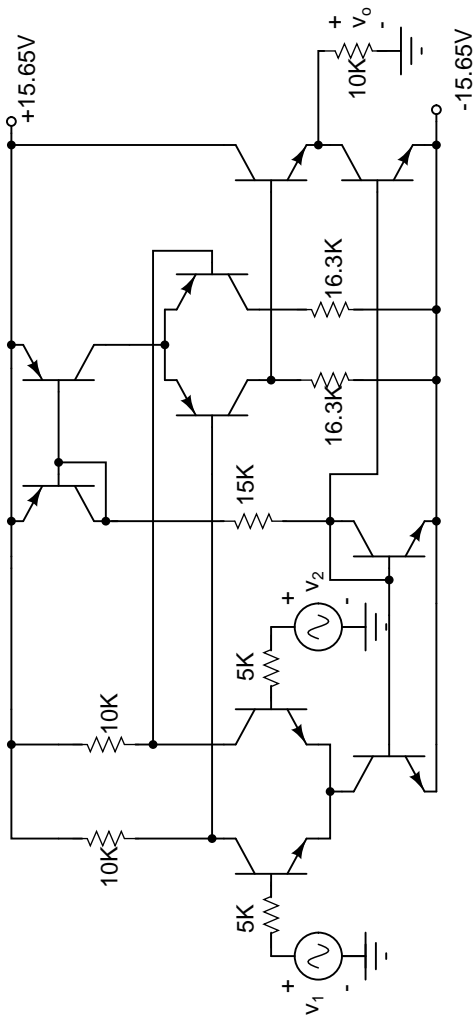


Figure 8: Problem 8

v_1 and v_2 are very small signals. $v_o = k(v_1 - v_2)$. Determine k in sign and magnitude. $V_T = 25mV, \beta = 99$. As usual, neglect base currents for operating point calculations.

0.7 ANSWERS :

$$k = +4538.1284$$

Problem 9

Take $V_{BE} = 0.65V$, nominally. For the input signal shown both transistors should be swung to their limits of their ac-

tive regions during the signal cycle. Find V_{CC} , R_e and the ratio R_x/R_y . Assume $R_x || R_y$ in the order of R_e .

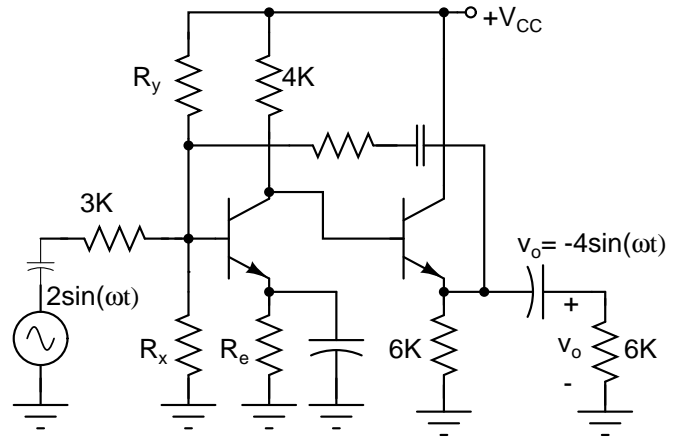


Figure 9: Problem 9

0.8 ANSWERS :

$$V_{CC} = 16.65V; R_e = 8K; R_x/R_y = 1.08125$$

Problem 10

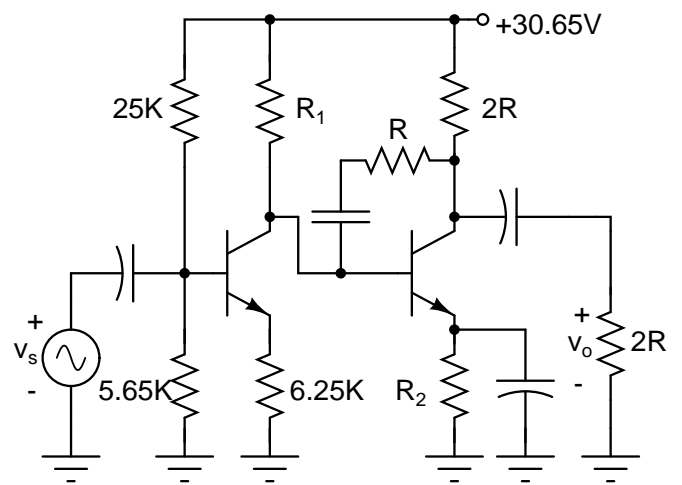


Figure 10:

Take $V_{BE} = 0.65V$, nominally. V_{smax} is such that both transistors are swung to limits of their active regions during the signal cycle. Find R_1, R_2, R, V_{smax} and V_{omax} .

0.9 ANSWERS :

$$\begin{aligned}
 R_1 &= 25K \\
 R_2 &= 6.25K \\
 R &= 5K \\
 V_{smax} &= 5V \\
 V_{omax} &= 4V
 \end{aligned}$$

Problem 11

All capacitors are very large valued. Take $V_{BE} = 0.65\text{V}$, nominally. v_c is given to be a small signal, v_m is **not** a small signal. $V_T = 50\text{mV}$, assume α to be 1. Find $v_o(t)$, the total output voltage including the DC component. Also find the limits within which $v_m(t)$ should lie so that all transistors are always in their active regions. To find these limits assume $v_c/V_T \ll 1$.

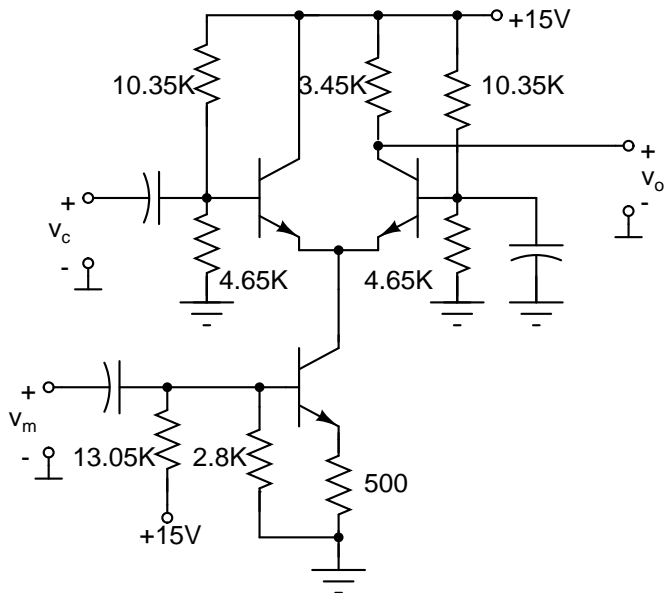


Figure 11: Problem 11